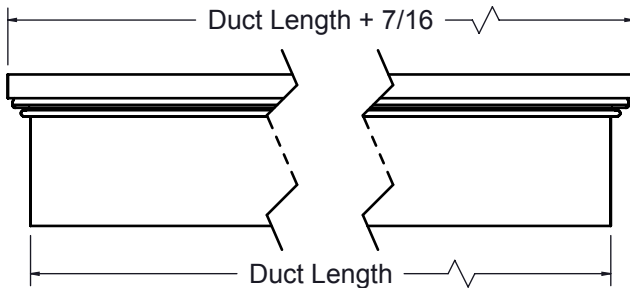
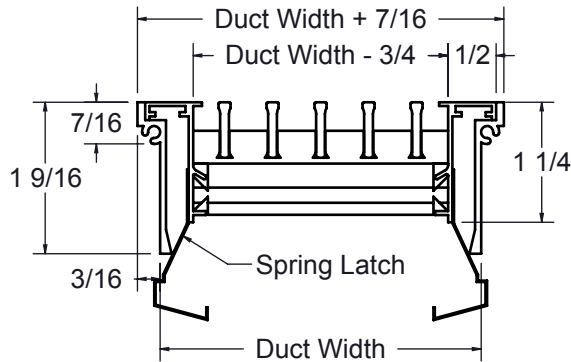


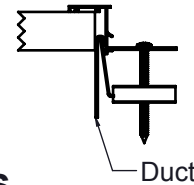
- Eight available core styles
- Extruded aluminum construction
- Size limitations are 6" x 2" minimum and 72" x 24" maximum for single piece
- Sizes available in 1/2" increments
- Core reinforcement option increases number of support bars to provide additional structural support
- Not recommended for ceiling without concealed mounting brackets
- Standard finishes available are white (WH) and mill (ML)



Accessories

CMB - Concealed Mounting Brackets

(Spring Latch not included, not available on Core A0/A1; max width available is 12")



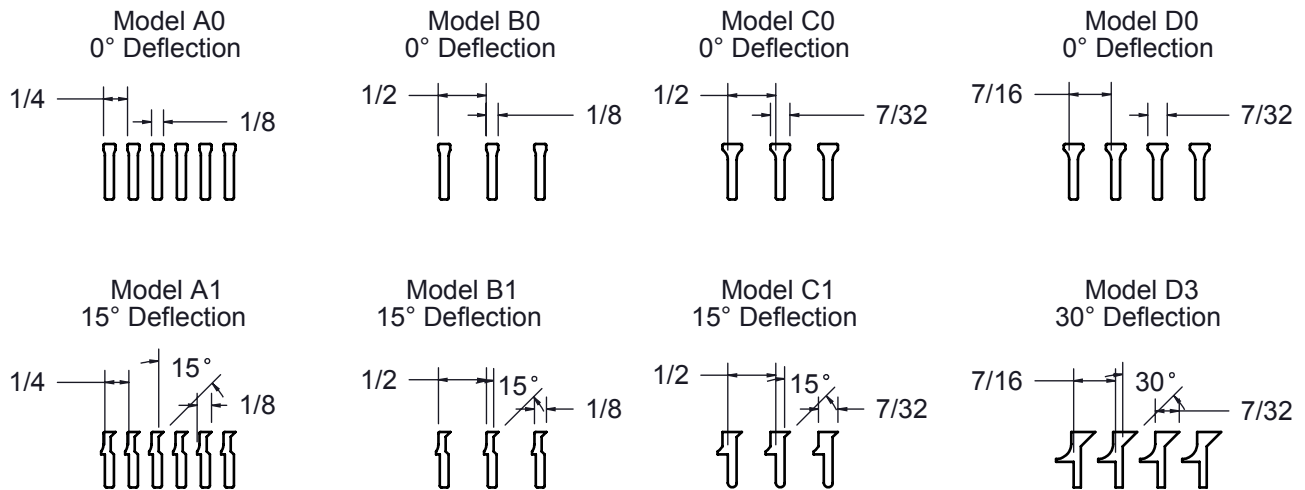
Options

- Standard
- Core Reinforced

Finishes

- WH - White
- ML - Mill
- AP - Aluminum Paint
- OW - Off-White
- FB - Flat Black
- MP - Match Paint
- CA - Clear Anodized

Available Cores



Dimensions in inches

Job: _____	Tag: _____	WLFD Linear Diffuser Mounting Style 2SL, Frame w/ 050 Margin Ceiling, Sidewall & Sill App.
Location: _____	Submitted By: _____	
Architect: _____	WDLS04 Rev: A (06/19)	
Engineer: _____		
Contractor: _____		