

CURVED BLADE CEILING DIFFUSERS

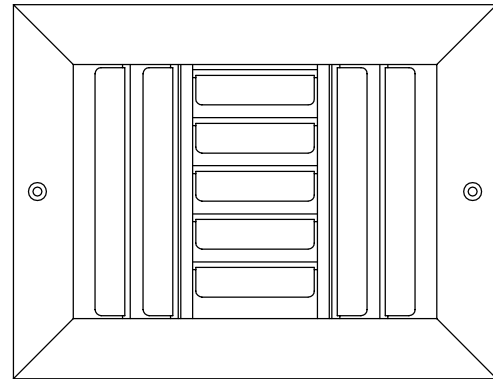
INDIVIDUALLY ADJUSTABLE BLADES ON 1" CENTERS
 3-WAY AIR DISTRIBUTION WITH CENTER BLADES PARALLEL TO
 LONG DIMENSION AND END BLADES PARALLEL TO SHORT
 DIMENSION

MINIMUM SIZE: 6" WIDTH x 4" HEIGHT

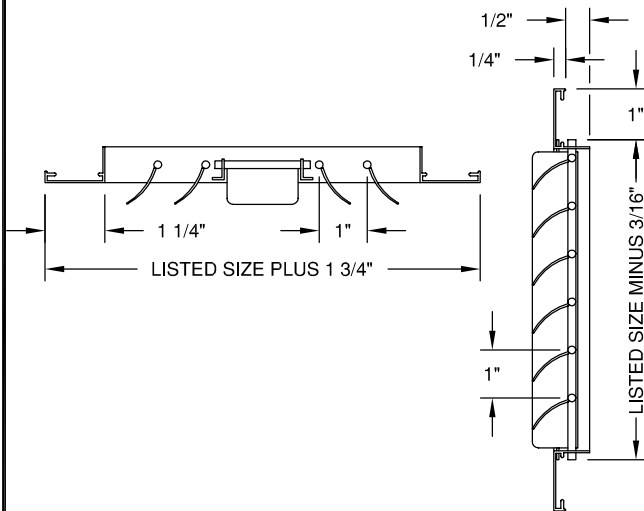
MAXIMUM SIZE: 36" WIDTH x 36" HEIGHT

EXTRUDED ALUMINUM; 6063-T5

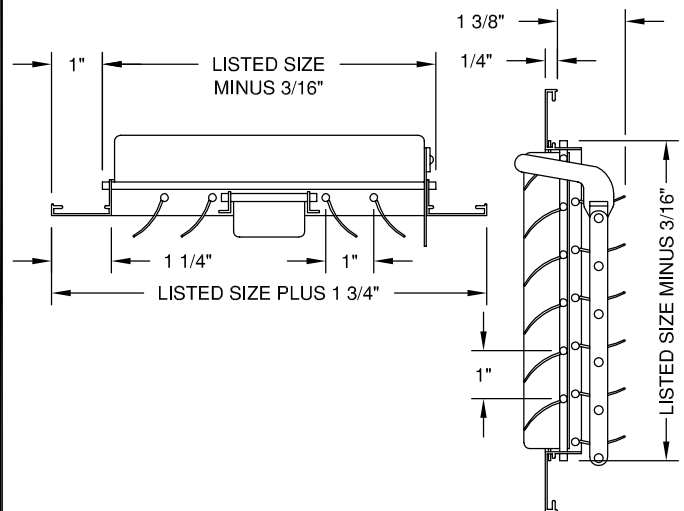
FINISH - SA (CLEAR ANODIZE) OR W (WHITE PAINTED)



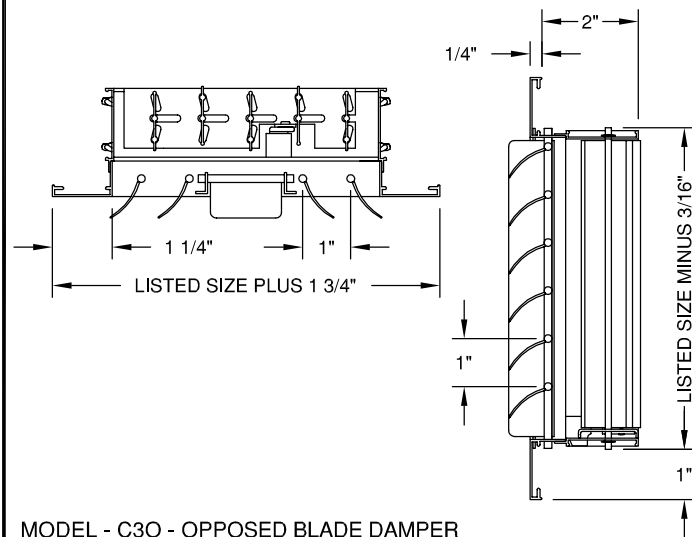
FACE VIEW



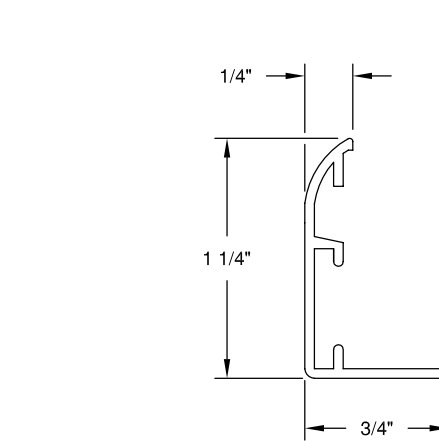
MODEL - C3 - 3 WAY - GRILLE



MODEL - C3M - MULTI-SHUTTER DAMPER



MODEL - C3O - OPPOSED BLADE DAMPER



ALTERNATE "Z" FRAME

DWG NO. 02HV007	JOB NAME: _____	ENGINEER: _____
DATE: 9/20/01	LOCATION: _____	CONTRACTOR: _____
	ARCHITECT: _____	FINISH: _____