

SIDEWALL SUPPLY REGISTER

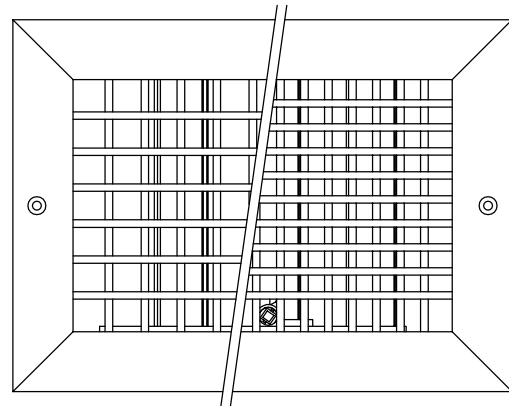
2 SETS OF INDIVIDUALLY ADJUSTABLE BLADES
 FRONT BLADES IN HORIZONTAL POSITION
 WITH OPPOSED BLADE DAMPER

MINIMUM SIZE: 6" WIDTH x 4" HEIGHT

MAXIMUM SIZE: 96" WIDTH x 48" HEIGHT

EXTRUDED ALUMINUM; 6063-T5

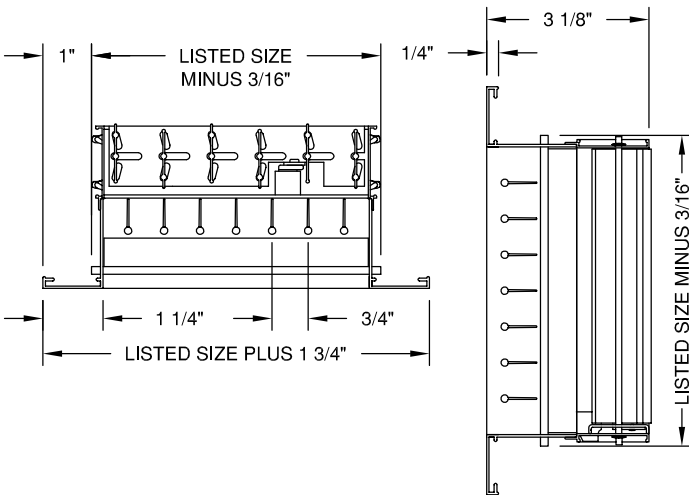
FINISH - SA (CLEAR ANODIZE) OR W (WHITE PAINTED)



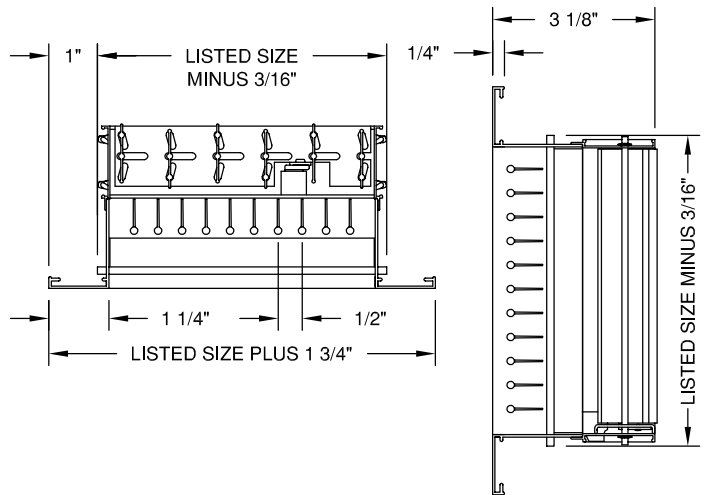
R2HO

R2HO5

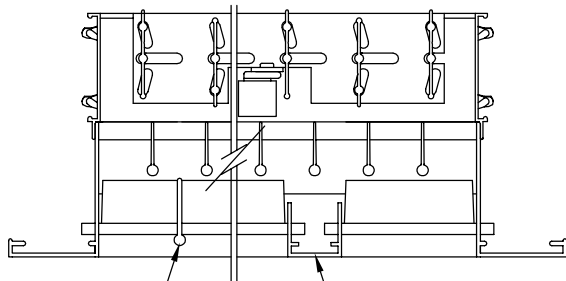
FACE VIEW



MODEL - R2HO - 3/4" BLADE SPACING - GRILLE



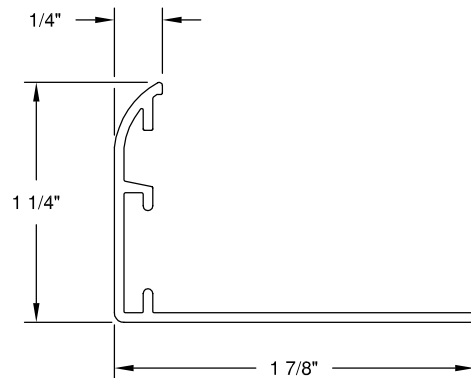
MODEL - R2HO5 - 1/2" BLADE SPACING - GRILLE



BRACE BAR ADDED
 WHEN EITHER
 DIMENSION
 IS OVER 16"

CHANNEL ADDED
 WHEN WIDTH DIMENSION
 IS OVER 48"

BLADE SUPPORT DETAIL



ALTERNATE "Z" FRAME

DWG NO.

02HV024A

JOB NAME: _____

ENGINEER: _____

DATE:

2/20/02

LOCATION: _____

CONTRACTOR: _____

ARCHITECT: _____

FINISH: _____