

SIDEWALL SUPPLY REGISTER

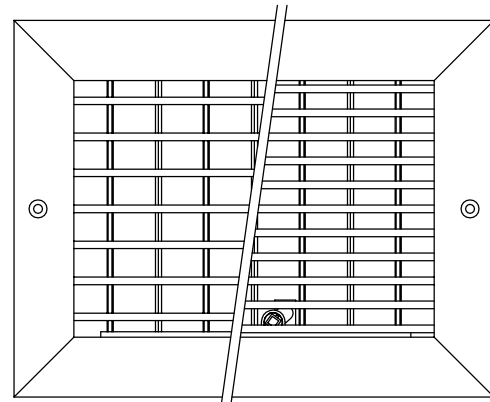
1 SET OF INDIVIDUALLY ADJUSTABLE BLADES
 BLADES IN HORIZONTAL POSITION
 WITH OPPOSED BLADE DAMPER

MINIMUM SIZE: 6" WIDTH x 4" HEIGHT

MAXIMUM SIZE: 96" WIDTH x 48" HEIGHT

EXTRUDED ALUMINUM; 6063-T5

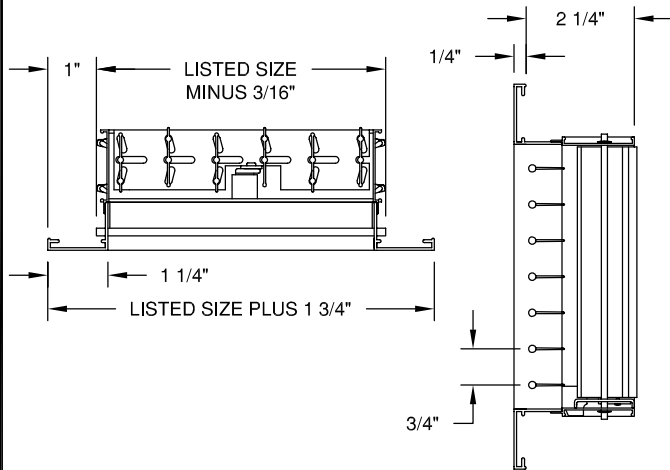
FINISH - SA (CLEAR ANODIZE) OR W (WHITE PAINTED)



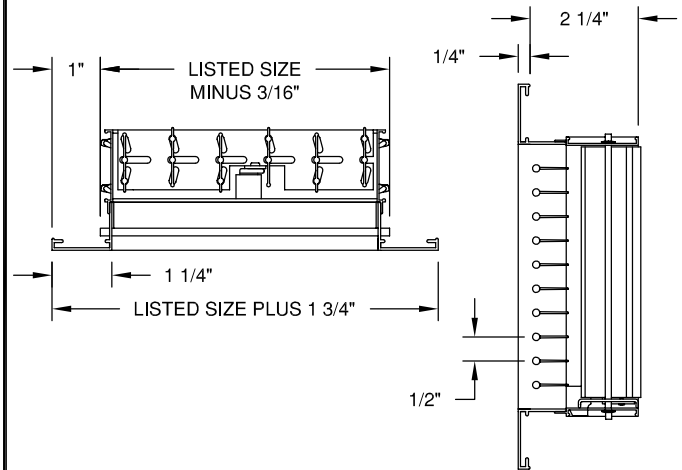
R1HO

R1HO5

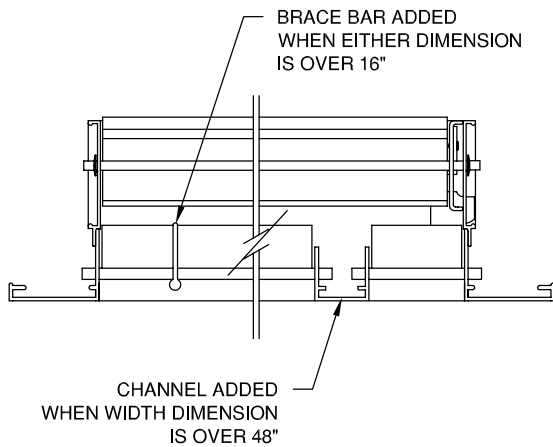
FACE VIEW



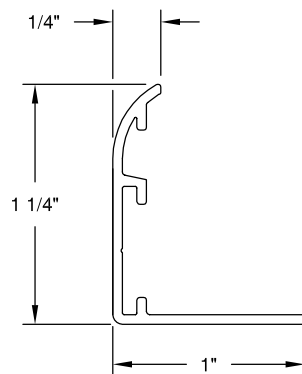
MODEL - R1HO - 3/4" BLADE SPACING - GRILLE



MODEL - R1HO5 - 1/2" BLADE SPACING - GRILLE



BLADE SUPPORT DETAIL



ALTERNATE "Z" FRAME

DWG NO.

02HV022A

JOB NAME: _____

ENGINEER: _____

DATE:

2/20/02

LOCATION: _____

CONTRACTOR: _____

ARCHITECT: _____

FINISH: _____