

## SIDEWALL SUPPLY REGISTER

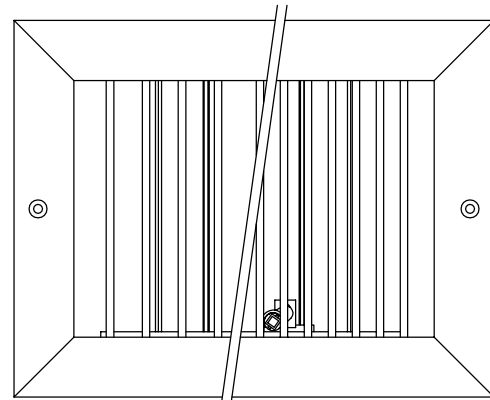
1 SET OF INDIVIDUALLY ADJUSTABLE BLADES  
 BLADES IN VERTICAL POSITION  
 WITH OPPOSED BLADE DAMPER

MINIMUM SIZE: 6" WIDTH x 4" HEIGHT

MAXIMUM SIZE: 72" WIDTH x 48" HEIGHT

EXTRUDED ALUMINUM; 6063-T5

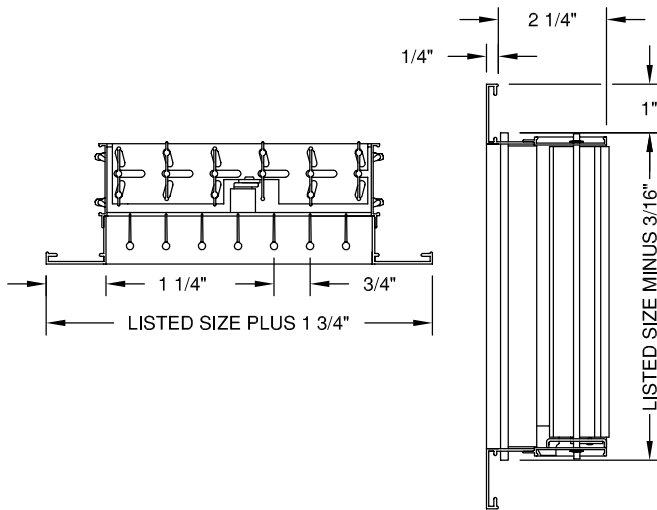
FINISH - SA (CLEAR ANODIZE) OR W (WHITE PAINTED)



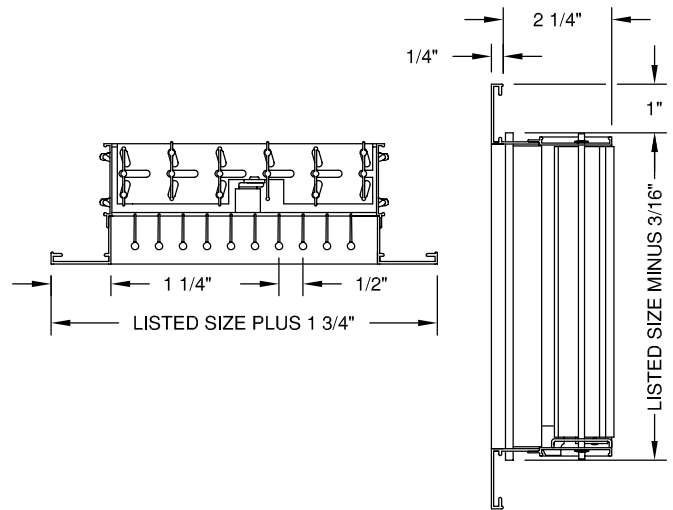
R1VO

R1VO5

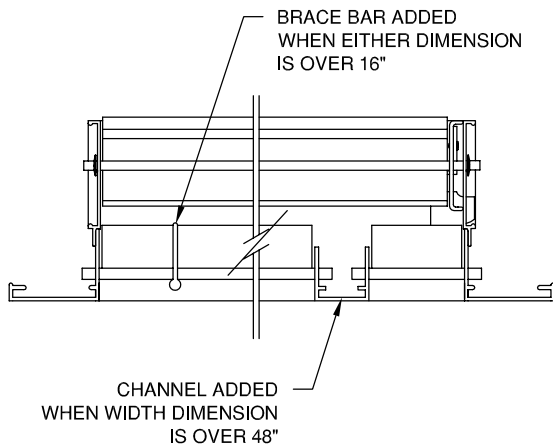
FACE VIEW



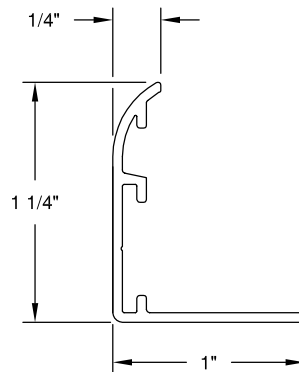
MODEL - R1VO - 3/4" BLADE SPACING - GRILLE



MODEL - R1VO5 - 1/2" BLADE SPACING - GRILLE



BLADE SUPPORT DETAIL



ALTERNATE "Z" FRAME

DWG NO.

02HV021A

JOB NAME: \_\_\_\_\_

ENGINEER: \_\_\_\_\_

DATE:

2/20/02

LOCATION: \_\_\_\_\_

CONTRACTOR: \_\_\_\_\_

ARCHITECT: \_\_\_\_\_

FINISH: \_\_\_\_\_