

SIDEWALL SUPPLY GRILLE

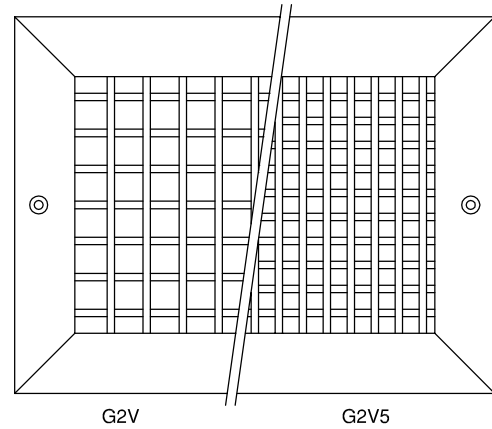
2 SET OF INDIVIDUALLY ADJUSTABLE BLADES
FRONT BLADES IN VERTICAL POSITION

MINIMUM SIZE: 6" WIDTH x 4" HEIGHT

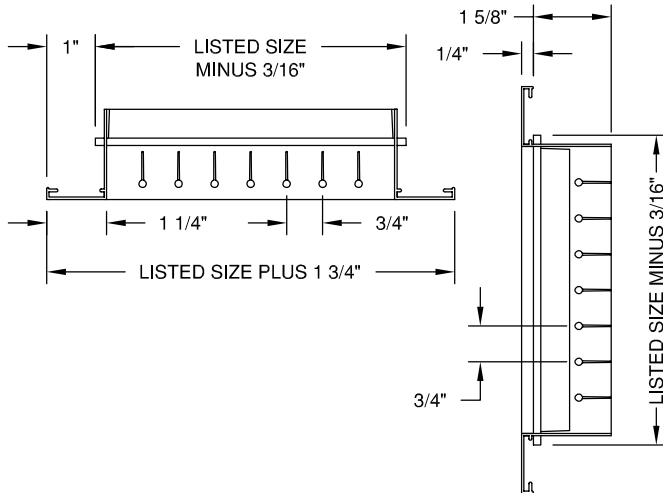
MAXIMUM SIZE: 96" WIDTH x 48" HEIGHT

EXTRUDED ALUMINUM; 6063-T5

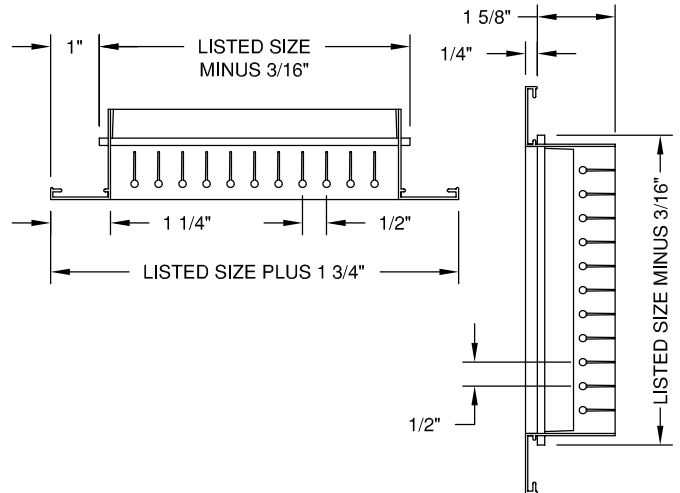
FINISH - SA (CLEAR ANODIZE) OR W (WHITE PAINTED)



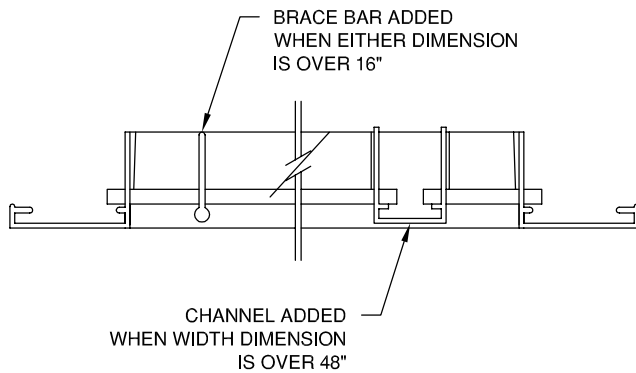
FACE VIEW



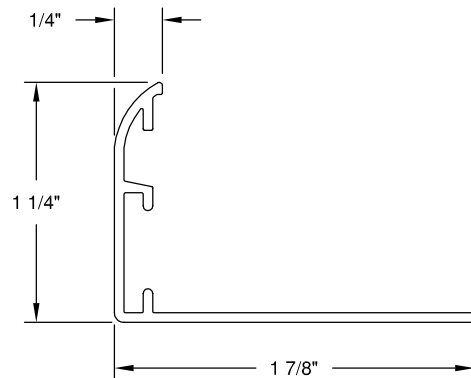
MODEL - G2V - 3/4" BLADE SPACING - GRILLE



MODEL - G2V5 - 1/2" BLADE SPACING - GRILLE



BLADE SUPPORT DETAIL



ALTERNATE "Z" FRAME

DWG NO.

02HV018A

DATE:

2/20/02

JOB NAME: _____

LOCATION: _____

ARCHITECT: _____

ENGINEER: _____

CONTRACTOR: _____

FINISH: _____