

### 9400 SPIRAL DUCT

1/2", 3/4" & 1" SLOT WIDTHS WITH UP TO 4 SLOTS.

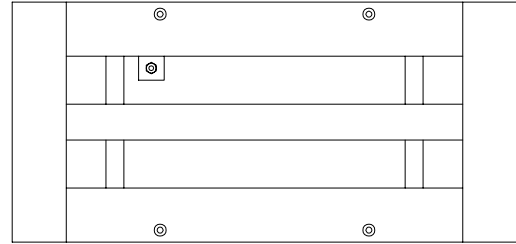
MINIMUM SIZE: 1 SLOT

MAXIMUM SIZE: 4 SLOTS

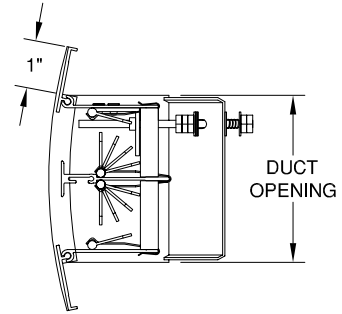
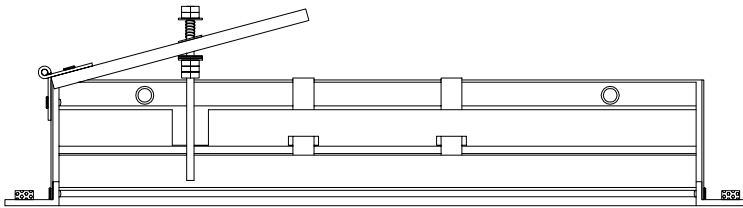
EXTRUDED ALUMINUM; 6063-T5

FINISH - SA (SATIN ANODIZE) OR W (WHITE PAINTED)

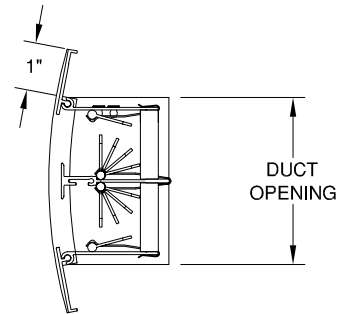
OPTIONAL AIR SCOOP WITH SCREW ADJUSTMENT



FACE VIEW



MODEL - 9400 - AS



MODEL - 9400

	NUMBER OF SLOTS							
	1		2		3		4	
SLOT WIDTH	MIN DUCT DIA	DUCT OPENING	MIN DUCT DIA	DUCT OPENING	MIN DUCT DIA	DUCT OPENING	MIN DUCT DIA	DUCT OPENING
1/2	6	1-3/4	8	3	12	4-1/4	16	5-1/2
3/4	6	2	10	3-1/2	14	5	22	6-1/2
1	6	2-1/4	12	4	16	5-3/4	28	7-1/2

### MODEL - SPIRAL DUCT APPLICATION

DWG NO.

02HV207

JOB NAME: \_\_\_\_\_

ENGINEER: \_\_\_\_\_

DATE:

11/8/02

LOCATION: \_\_\_\_\_

CONTRACTOR: \_\_\_\_\_

ARCHITECT: \_\_\_\_\_

FINISH: \_\_\_\_\_