

SPIRAL DUCT GRILLE

MINIMUM SIZE: 10" X 3"

MAXIMUM SIZE: 48" X 12"

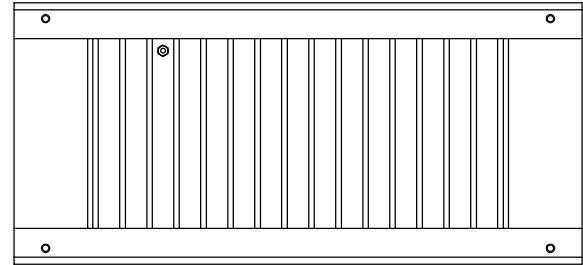
SINGLE AND DOUBLE (VERTICAL & HORIZONTAL) DEFLECTION

ADJUSTABLE BLADES

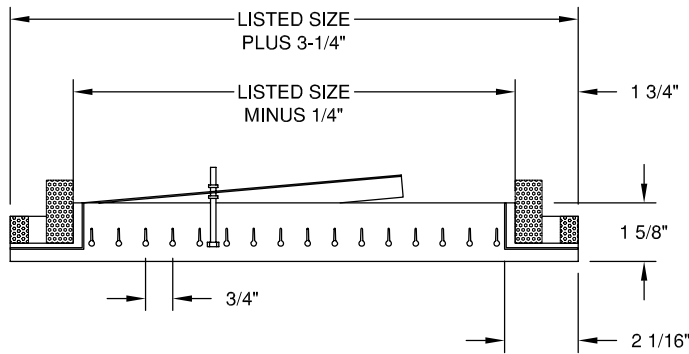
EXTRUDED ALUMINUM; 6063-T5

FINISH - SA (SATIN ANODIZE) OR W (WHITE PAINTED)

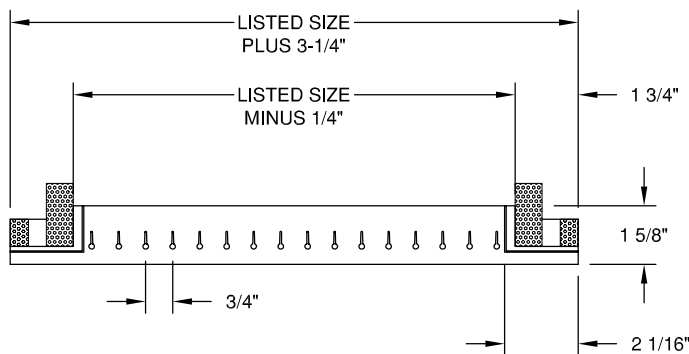
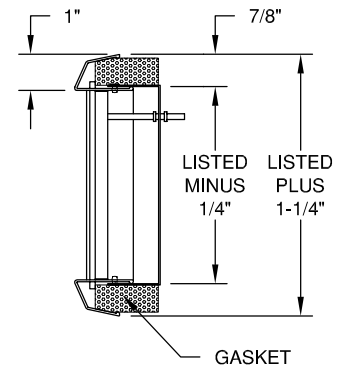
OPTIONAL AIR SCOOP WITH SCREW ADJUSTMENT



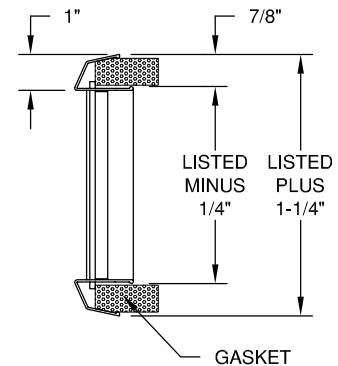
FACE VIEW



MODEL - US1V-AS



MODEL - US1V



DWG NO.

02HV203A

JOB NAME: _____

ENGINEER: _____

DATE:

10/11/02

LOCATION: _____

CONTRACTOR: _____

ARCHITECT: _____

FINISH: _____