

## PERFORATED SPIRAL DUCT

PERFORATED ALUMINUM FACE WITH 5/32" DIAMETER HOLES ON 3/16" CENTERS IN 60° STAGGERED ROWS 3/32" ON CENTER.

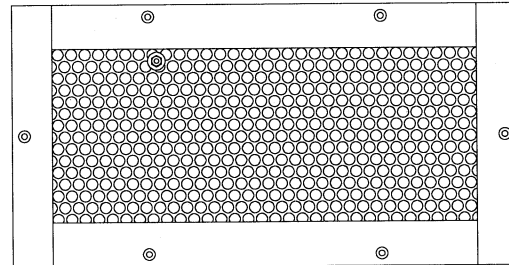
MINIMUM SIZE: 8" X 3"

MAXIMUM SIZE: 48" X 12"

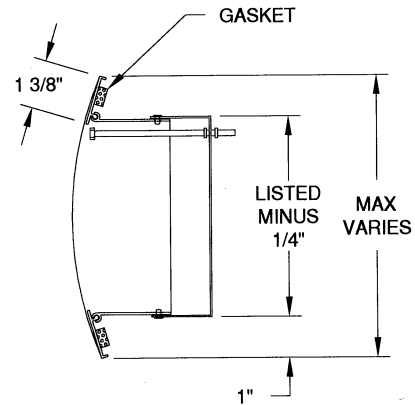
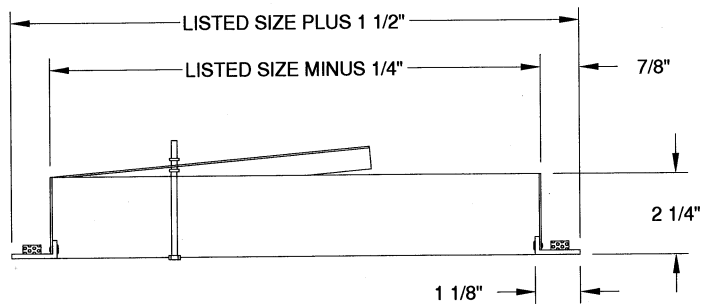
EXTRUDED ALUMINUM; 6063-T5

FINISH - SA (SATIN ANODIZE) OR W (WHITE PAINTED)

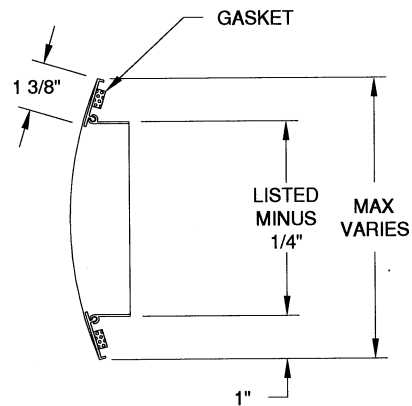
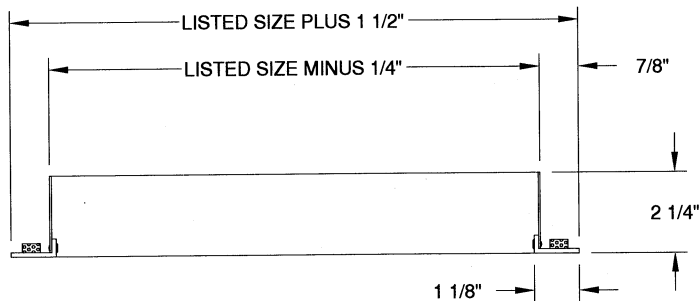
OPTIONAL AIR SCOOP WITH SCREW ADJUSTMENT



FACE VIEW



MODEL - SPF- AS



MODEL - SPF

DWG NO.

02HV205B

DATE:

9/8/08

JOB NAME: \_\_\_\_\_

LOCATION: \_\_\_\_\_

ARCHITECT: \_\_\_\_\_

ENGINEER: \_\_\_\_\_

CONTRACTOR: \_\_\_\_\_

FINISH: \_\_\_\_\_