

SPIRAL DUCT GRILLE

MINIMUM SIZE: 10" X 3"

MAXIMUM SIZE: 48" X 12"

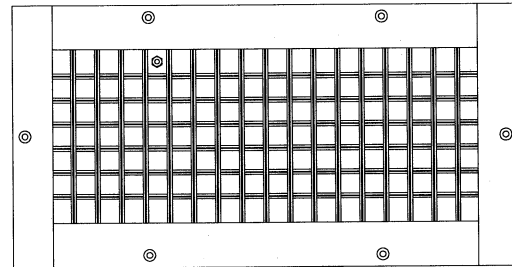
SINGLE AND DOUBLE (VERTICAL & HORIZONTAL) DEFLECTION

ADJUSTABLE BLADES

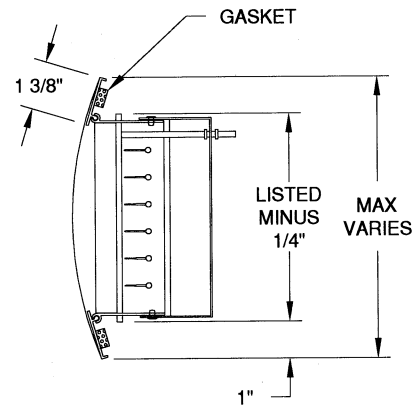
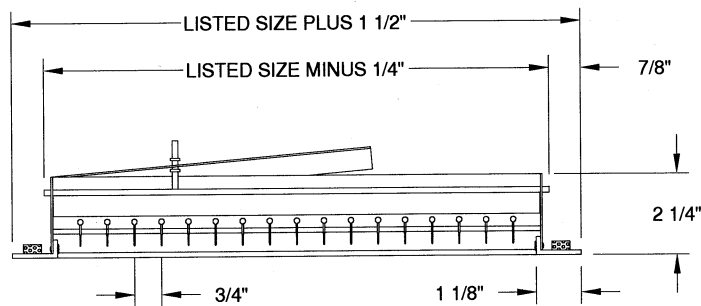
EXTRUDED ALUMINUM; 6063-T5

FINISH - SA (SATIN ANODIZE) OR W (WHITE PAINTED)

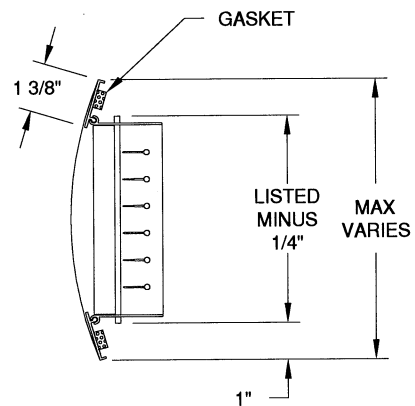
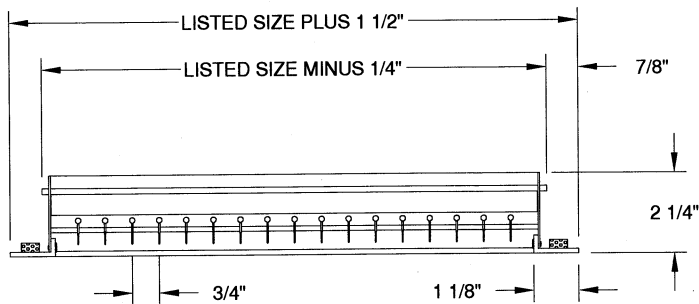
OPTIONAL AIR SCOOP WITH SCREW ADJUSTMENT



FACE VIEW



MODEL - S2V - AS



MODEL - S2V

DWG NO.

02HV201B

JOB NAME: _____

ENGINEER: _____

DATE:

9/8/08

LOCATION: _____

CONTRACTOR: _____

ARCHITECT: _____

FINISH: _____