

RETURN AIR FILTER GRILLE - TEE BAR

REMOVABLE PERFORATED ALUMINUM FACE
WITH 5/32" DIA. HOLES ON 3/16" CENTERS IN 60 °
STAGGERED ROW 3/32" O.C. WITH FILTER FRAME.
FOR MODULAR CEILING APPLICATION

MINIMUM SIZE: 6" WIDTH x 4" HEIGHT

MAXIMUM SIZE: 96" WIDTH x 48" HEIGHT

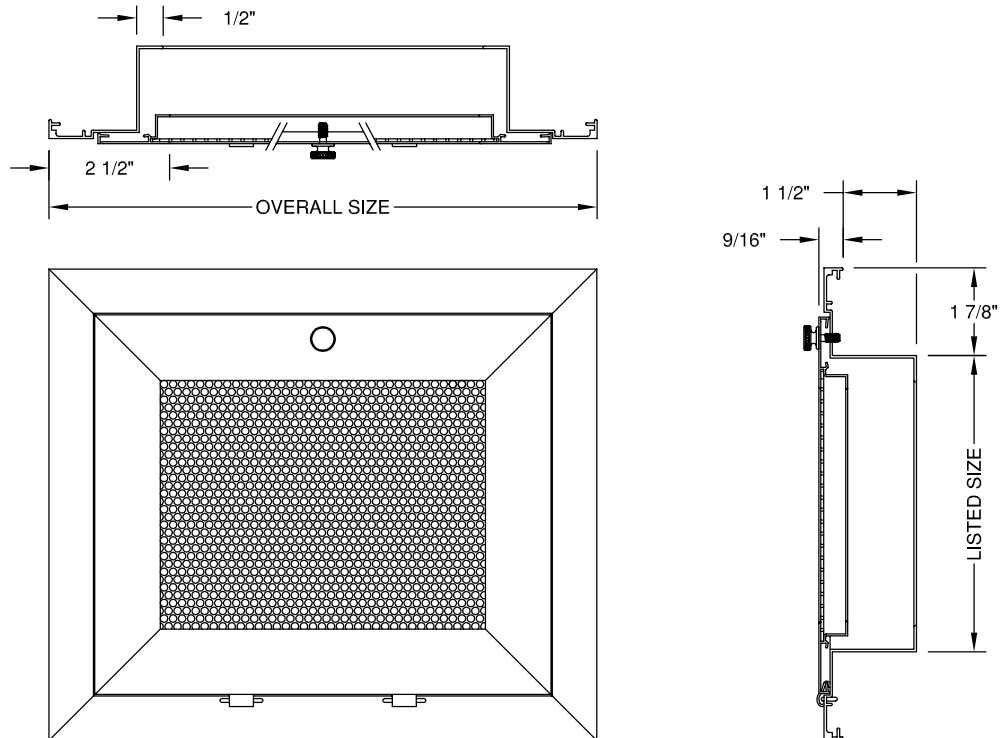
GRILLES 48" AND OVER WILL HAVE TWO INNER
GRILLES AND ONE OUTER FILTER FRAME

EXTRUDED ALUMINUM; 6063-T5

FINISH - SA (CLEAR ANODIZE) OR W (WHITE PAINTED)

T-BAR	LISTED SIZE	OVERALL
12 x 12	8 x 8	11 3/4 x 11 3/4
24 x 12	20 x 8	23 3/4 x 11 3/4
36 x 12	32 x 8	35 3/4 x 11 3/4
48 x 12	44 x 8	47 3/4 x 11 3/4
24 x 24	20 x 20	23 3/4 x 23 3/4
36 x 24	32 x 20	35 3/4 x 23 3/4
48 x 24	44 x 20	47 3/4 x 23 3/4
36 x 36	32 x 32	35 3/4 x 35 3/4
48 x 48	44 x 44	47 3/4 x 47 3/4

SIZE SCHEDULE



MODEL - GPFF-TB - GRILLE

DWG NO.

02HV095D

JOB NAME: _____

ENGINEER: _____

DATE:

3/10/03

LOCATION: _____

CONTRACTOR: _____

ARCHITECT: _____

FINISH: _____