

RETURN AIR FILTER GRILLE

REMOVABLE PERFORATED ALUMINUM FACE
WITH 5/32" DIA. HOLES ON 3/16" CENTERS IN 60 °
STAGGERED ROW 3/32" O.C. WITH FILTER FRAME.

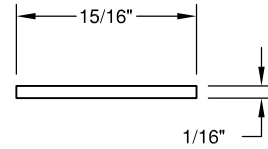
MINIMUM SIZE: 6" WIDTH x 4" HEIGHT

MAXIMUM SIZE: 96" WIDTH x 48" HEIGHT

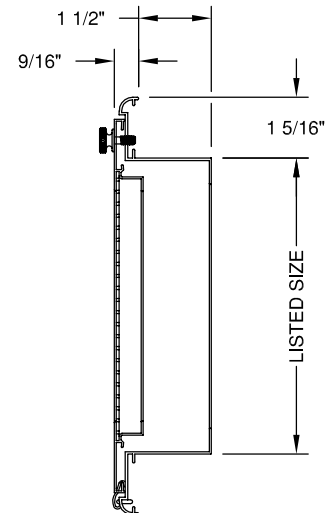
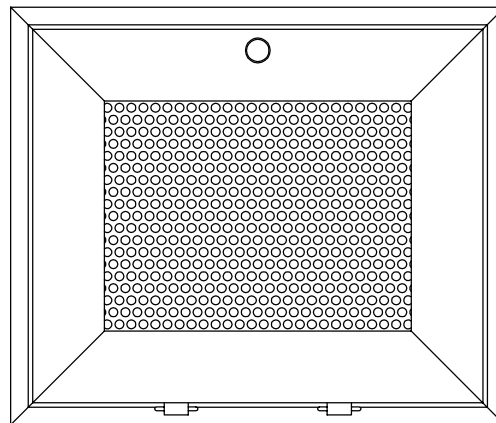
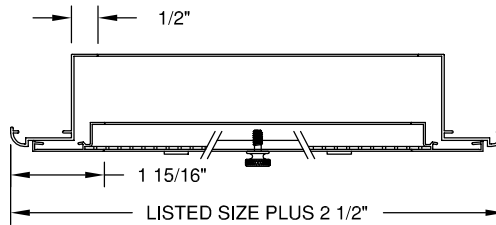
GRILLES 48" AND OVER WILL HAVE TWO INNER
GRILLES AND ONE OUTER FILTER FRAME

EXTRUDED ALUMINUM; 6063-T5

FINISH - SA (CLEAR ANODIZE) OR W (WHITE PAINTED)



ALTERNATE A1258 FOR MULTIPLE FILTERS
(FOR WIDTHS OR HEIGHTS EXCEEDING 30")



MODEL - GPFF - GRILLE

DWG NO.

02HV094D

JOB NAME: _____

ENGINEER: _____

DATE:

3/10/03

LOCATION: _____

CONTRACTOR: _____

ARCHITECT: _____

FINISH: _____