

### RETURN & EXHAUST FILTER GRILLE

ALUMINUM GRID 1/2" x 1/2" x 1/2" WITH FILTER FRAME FOR SIDEWALL OR CEILING APPLICATION

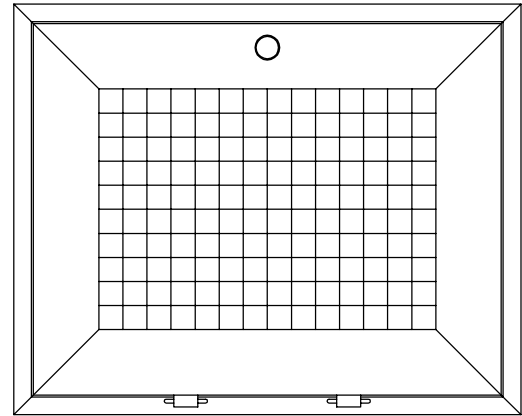
MINIMUM SIZE: 6" WIDTH x 4" HEIGHT

MAXIMUM SIZE: 96" WIDTH x 48" HEIGHT

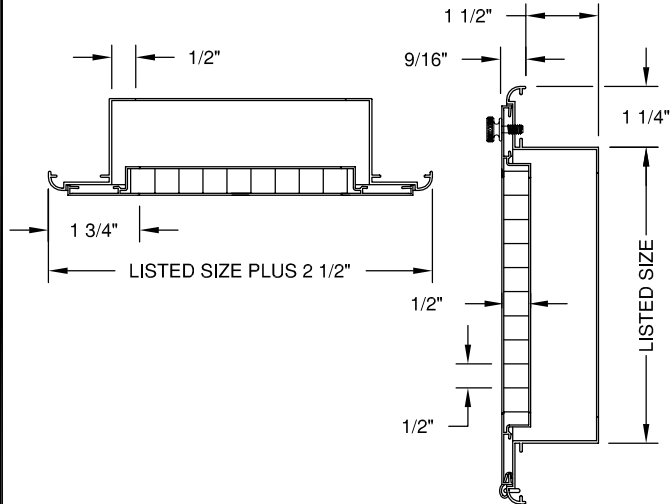
GRILLES 48" AND OVER WILL HAVE TWO INNER GRILLES IN ONE OUTER FRAME

EXTRUDED ALUMINUM; 6063-T5

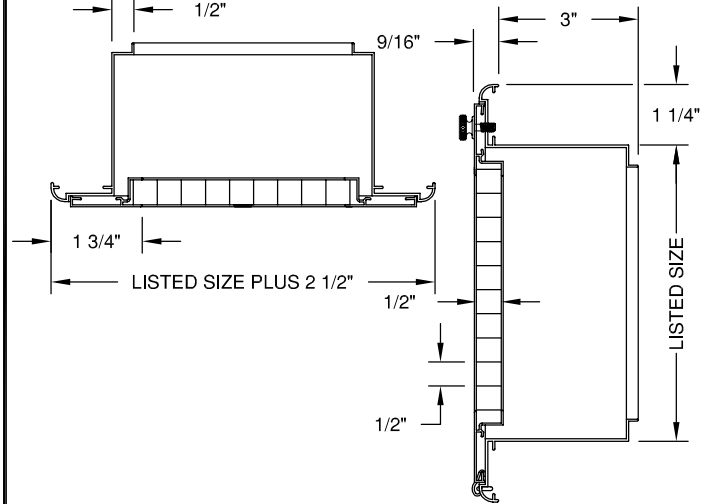
FINISH - SA (CLEAR ANODIZE) OR W (WHITE PAINTED)



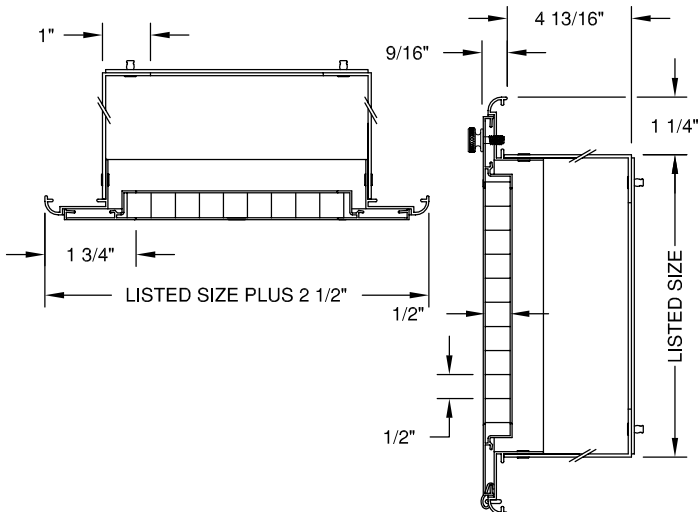
FACE VIEW



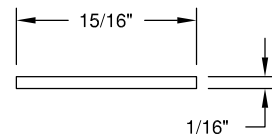
MODEL - GAG5F - 1" FILTER RACK



MODEL - GAG5F - 2" FILTER RACK



MODEL - GAG5F- 4" FILTER RACK



ALTERNATE A1258 FOR MULTIPLE FILTERS (FOR WIDTHS OR HEIGHTS EXCEEDING 30")

DWG NO.

02HV079D

JOB NAME: \_\_\_\_\_

ENGINEER: \_\_\_\_\_

DATE:

3/10/03

LOCATION: \_\_\_\_\_

CONTRACTOR: \_\_\_\_\_

ARCHITECT: \_\_\_\_\_

FINISH: \_\_\_\_\_