

RETURN FILTER GRILLE

BLADES AT 40° ANGLE ON 1/2" CENTERS WITH FILTER RACK

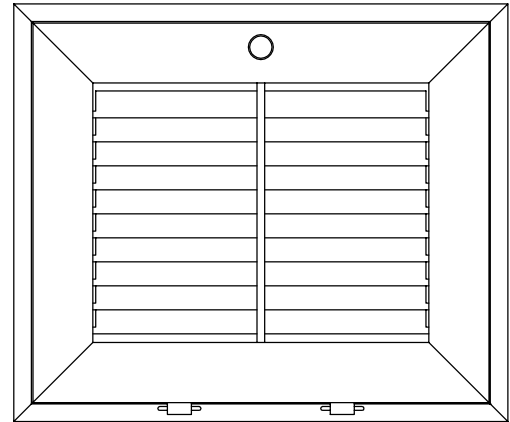
MINIMUM SIZE: 6" WIDTH x 4" HEIGHT

MAXIMUM SIZE: 96" WIDTH x 48" HEIGHT

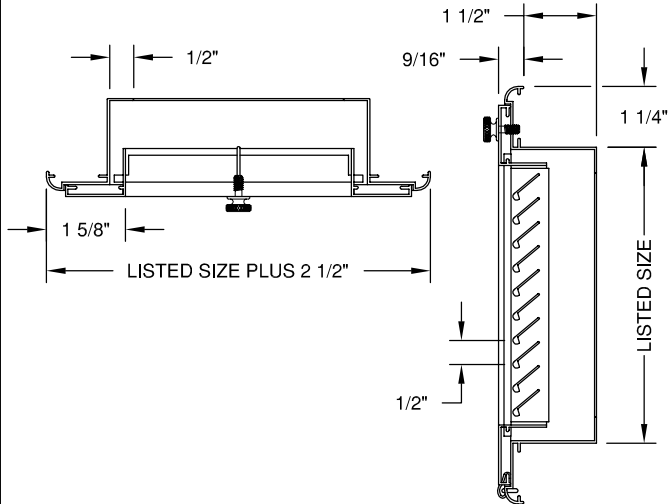
GRILLES 48" AND OVER WILL HAVE TWO INNER GRILLES IN ONE OUTER FRAME

EXTRUDED ALUMINUM; 6063-T5

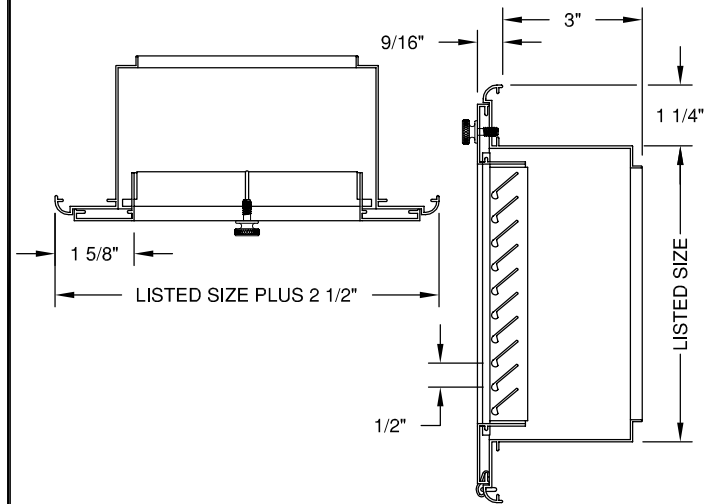
FINISH - SA (CLEAR ANODIZE) OR W (WHITE PAINTED)



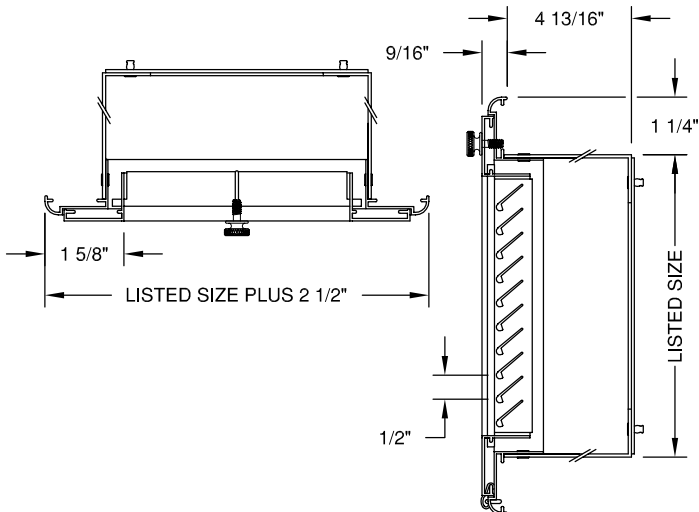
FACE VIEW



MODEL - GFXF5 - 1" FILTER RACK



MODEL - GFXF5 - 2" FILTER RACK



MODEL - GFXF5 - 4" FILTER RACK

DWG NO.

02HV063D

JOB NAME: _____

ENGINEER: _____

DATE:

2/12/03

LOCATION: _____

CONTRACTOR: _____

ARCHITECT: _____

FINISH: _____