

## RETURN AIR GRILLE

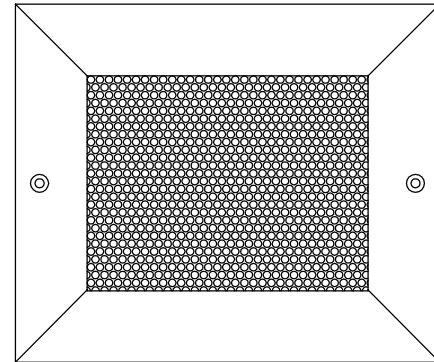
PERFORATED ALUMINUM FACE WITH 5/32" DIA. HOLES ON 3/16" CENTERS IN 60° STAGGERED ROWS

MINIMUM SIZE: 6" WIDTH x 6" HEIGHT

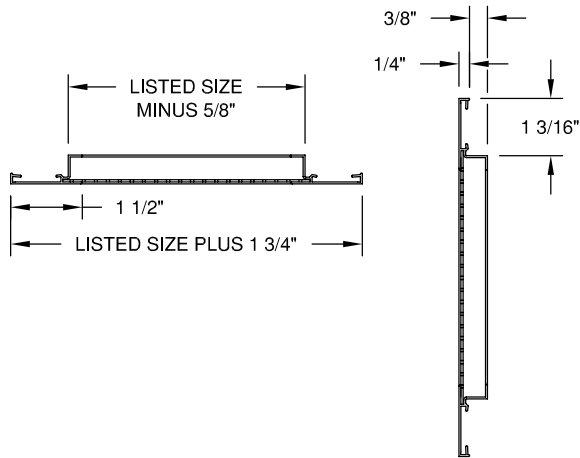
MAXIMUM SIZE: 96" WIDTH x 48" HEIGHT

EXTRUDED ALUMINUM; 6063-T5

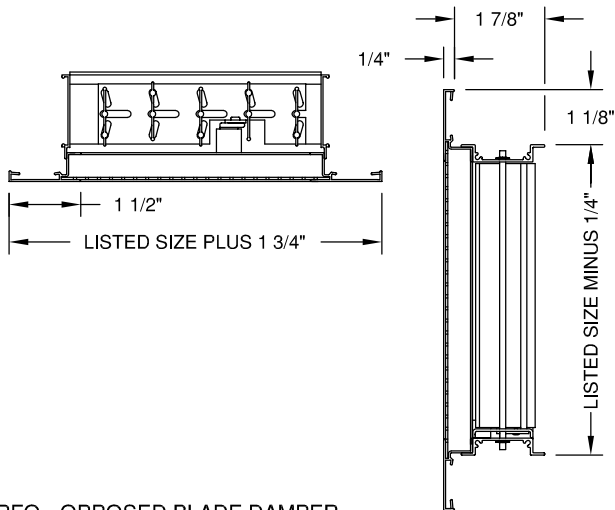
FINISH - SA (CLEAR ANODIZE) OR W (WHITE PAINTED)



FACE VIEW



MODEL - GPF - GRILLE



GPFO - OPPOSED BLADE DAMPER

DWG NO.

02HV050C

JOB NAME: \_\_\_\_\_

ENGINEER: \_\_\_\_\_

DATE:

10/28/02

LOCATION: \_\_\_\_\_

CONTRACTOR: \_\_\_\_\_

ARCHITECT: \_\_\_\_\_

FINISH: \_\_\_\_\_