

## RETURN & EXHAUST GRILLE

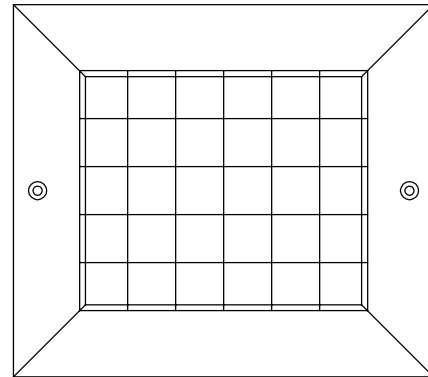
ALUMINUM GRID 1" x 1" x 1" FOR  
SIDEWALL OR CEILING APPLICATION

MINIMUM SIZE: 4" WIDTH x 4" HEIGHT

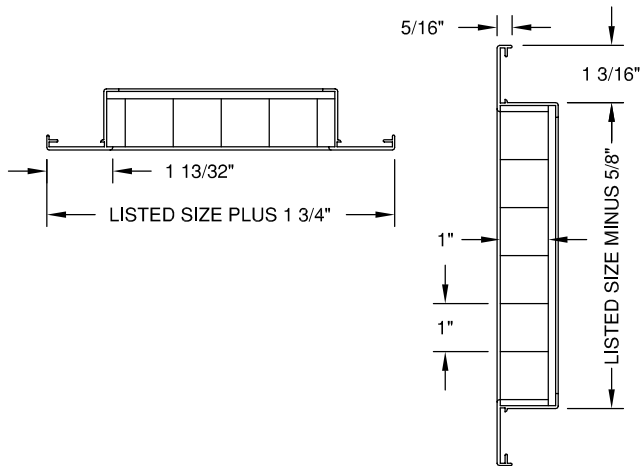
MAXIMUM SIZE: 48" WIDTH x 96" HEIGHT

EXTRUDED ALUMINUM; 6063-T5

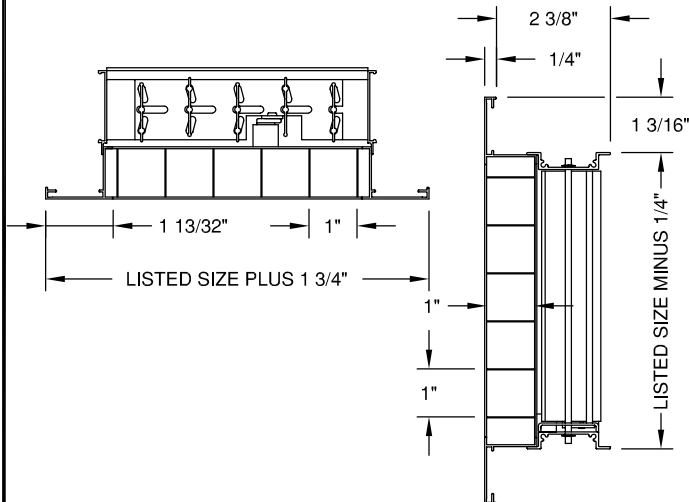
FINISH - SA (CLEAR ANODIZE) OR W (WHITE PAINTED)



FACE VIEW



MODEL - GAG1



GAG1-O - OPPOSED BLADE DAMPER

DWG NO.

02HV048B

JOB NAME: \_\_\_\_\_

ENGINEER: \_\_\_\_\_

DATE:

6/11/02

LOCATION: \_\_\_\_\_

CONTRACTOR: \_\_\_\_\_

ARCHITECT: \_\_\_\_\_

FINISH: \_\_\_\_\_