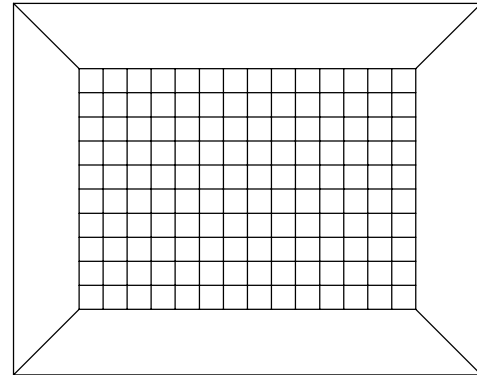


RETURN & EXHAUST GRILLE - TEE BAR

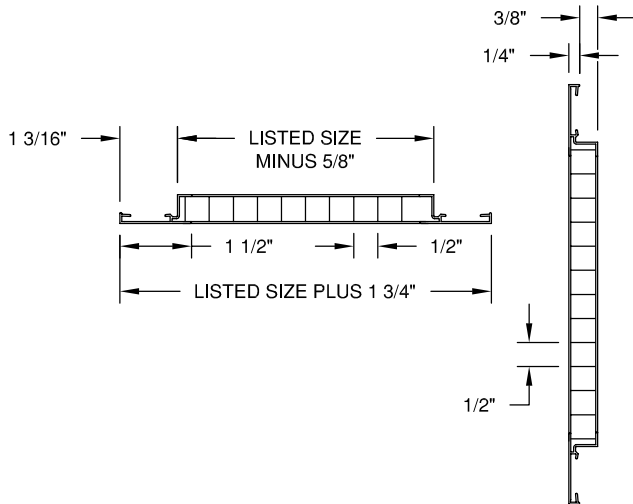
ALUMINUM GRID 1/2" x 1/2" x 1/2"
IN TEE BAR FRAME FOR MODULAR CEILING APPLICATION

EXTRUDED ALUMINUM; 6063-T5

FINISH - SA (CLEAR ANODIZE) OR W (WHITE PAINTED)



FACE VIEW

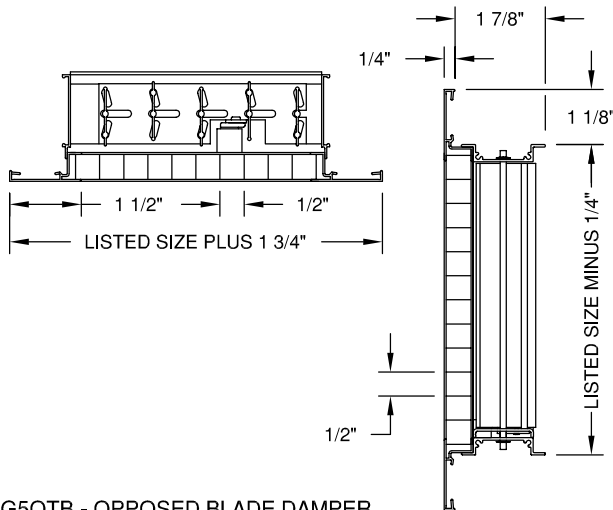


MODEL - GAG5TB

T-BAR	LISTED SIZE	OVERALL
12 x 12	10 x 10	11 3/4 x 11 3/4
24 x 12	22 x 10	23 3/4 x 11 3/4
36 x 12	34 x 10	35 3/4 x 11 3/4
48 x 12	46 x 10	47 3/4 x 11 3/4
24 x 24	22 x 22	23 3/4 x 23 3/4
36 x 24	34 x 22	35 3/4 x 23 3/4
48 x 24	46 x 22	47 3/4 x 23 3/4
36 x 36	34 x 34	35 3/4 x 35 3/4
48 x 48	46 x 46	47 3/4 x 47 3/4

NECK SIZE 6 x 6 THRU 18 x 18 MOUNTING INTO 24 x 24 ALIP
NECK SIZE 22 x 22 OVERALL - 23 3/4 x 23 3/4 FACE

SIZE SCHEDULE



GAG50TB - OPPOSED BLADE DAMPER

T-BAR	LISTED SIZE	OVERALL
12 x 12	10 x 10	11 3/4 x 11 3/4
24 x 12	22 x 10	23 3/4 x 11 3/4
36 x 12	34 x 10	35 3/4 x 11 3/4
48 x 12	46 x 10	47 3/4 x 11 3/4
24 x 24	22 x 22	23 3/4 x 23 3/4
36 x 24	34 x 22	35 3/4 x 23 3/4
48 x 24	46 x 22	47 3/4 x 23 3/4
36 x 36	34 x 34	35 3/4 x 35 3/4
48 x 48	46 x 46	47 3/4 x 47 3/4

SIZE SCHEDULE

DWG NO.

02HV042B

JOB NAME: _____

ENGINEER: _____

DATE:

6/11/02

LOCATION: _____

CONTRACTOR: _____

ARCHITECT: _____

FINISH: _____