

RETURN AIR GRILLE

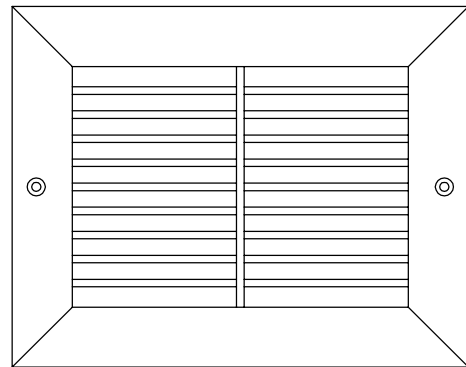
BLADES FIXED ON 1/2" CENTERS IN STRAIGHT POSITION

MINIMUM SIZE: 4" WIDTH x 4" HEIGHT

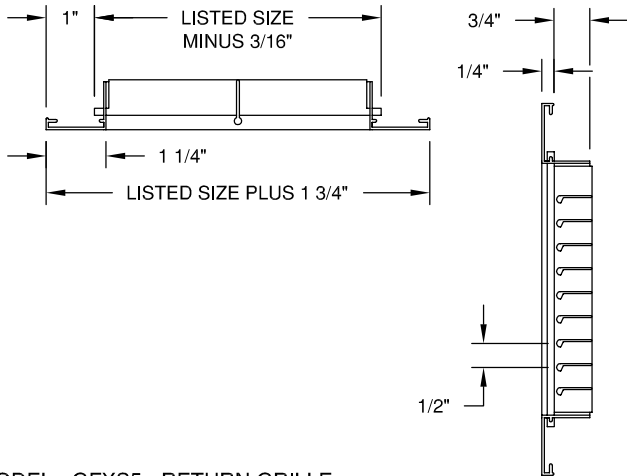
MAXIMUM SIZE: 96" WIDTH x 48" HEIGHT

EXTRUDED ALUMINUM; 6063-T5

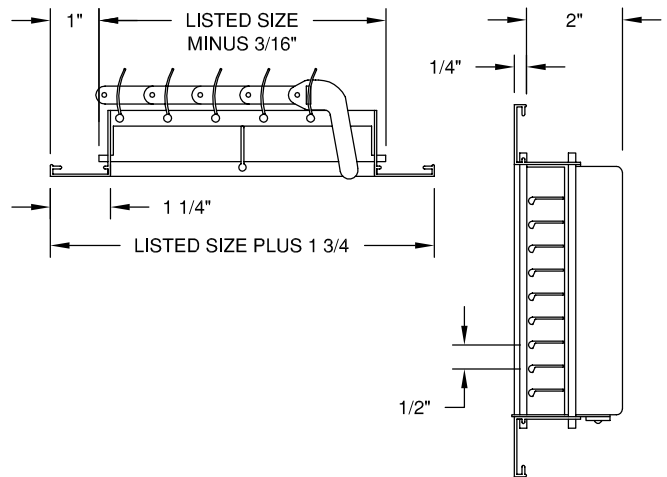
FINISH - SA (CLEAR ANODIZE) OR W (WHITE PAINTED)



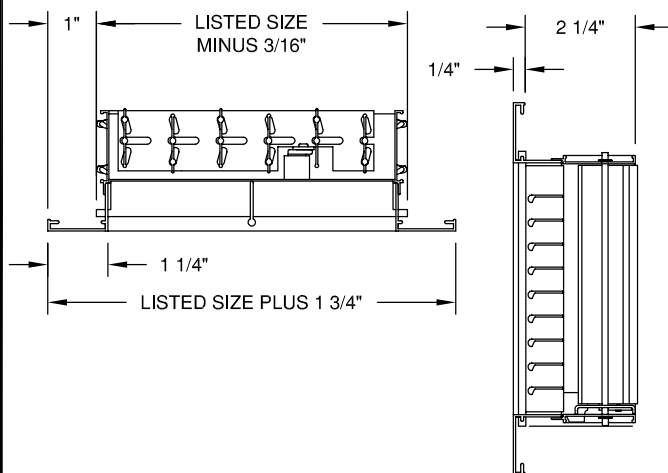
FACE VIEW



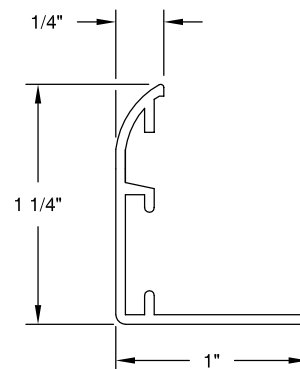
MODEL - GFXS5 - RETURN GRILLE



MODEL - GFXSM5 - MULTI-SHUTTER DAMPER



GFXSO5 - OPPOSED BLADE DAMPER



ALTERNATE "Z" FRAME

DWG NO.

02HV038A

JOB NAME: _____

ENGINEER: _____

DATE:

2/21/02

LOCATION: _____

CONTRACTOR: _____

ARCHITECT: _____

FINISH: _____