

## RETURN AIR GRILLE

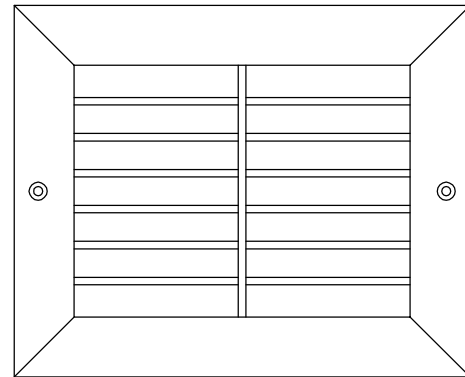
BLADES FIXED ON 3/4" CENTERS IN STRAIGHT POSITION

MINIMUM SIZE: 4" WIDTH x 4" HEIGHT

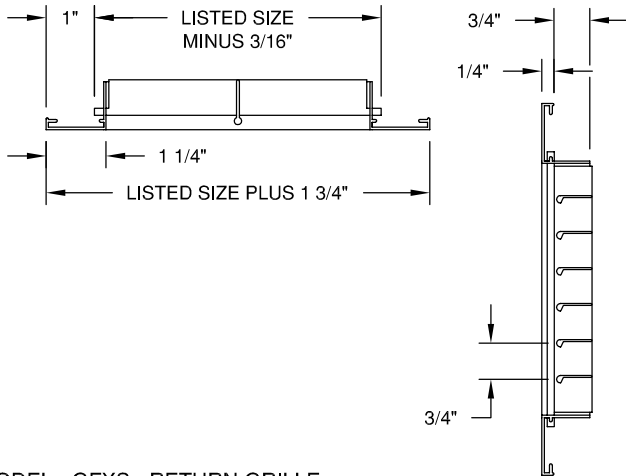
MAXIMUM SIZE: 96" WIDTH x 48" HEIGHT

EXTRUDED ALUMINUM; 6063-T5

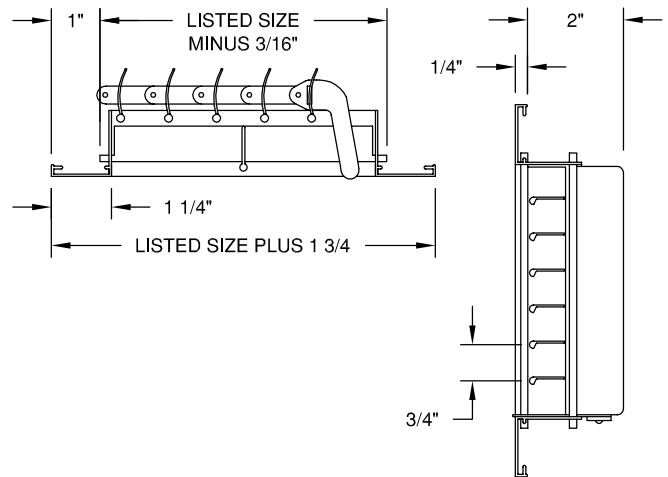
FINISH - SA (CLEAR ANODIZE) OR W (WHITE PAINTED)



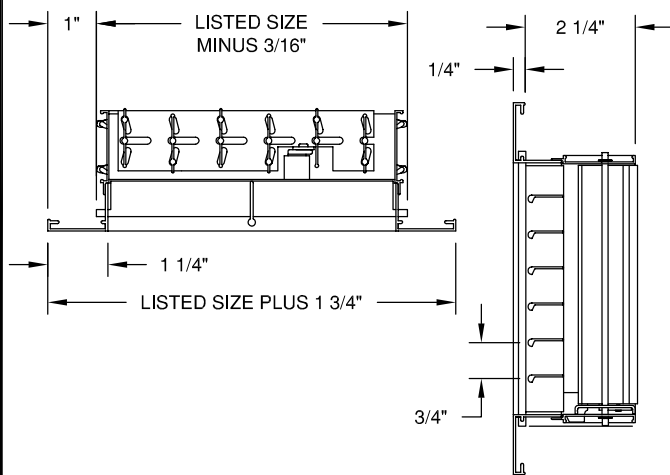
FACE VIEW



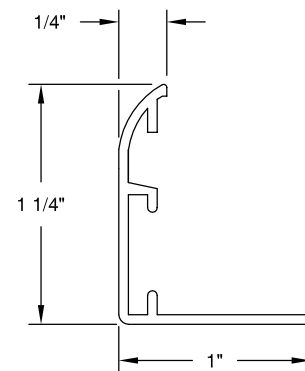
MODEL - GFXS - RETURN GRILLE



MODEL - GFXSM - MULTI-SHUTTER DAMPER



GFXSO - OPPOSED BLADE DAMPER



ALTERNATE "Z" FRAME

DWG NO.

02HV036A

JOB NAME: \_\_\_\_\_

ENGINEER: \_\_\_\_\_

DATE:

2/21/02

LOCATION: \_\_\_\_\_

CONTRACTOR: \_\_\_\_\_

ARCHITECT: \_\_\_\_\_

FINISH: \_\_\_\_\_