

9400 LINEAR SLOT DIFFUSERS

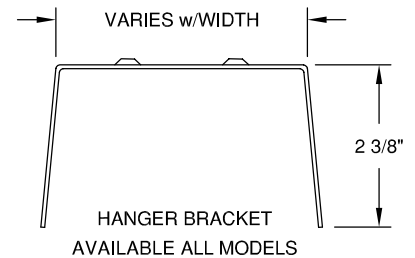
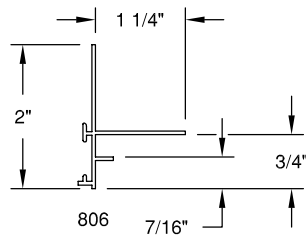
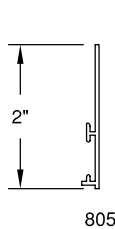
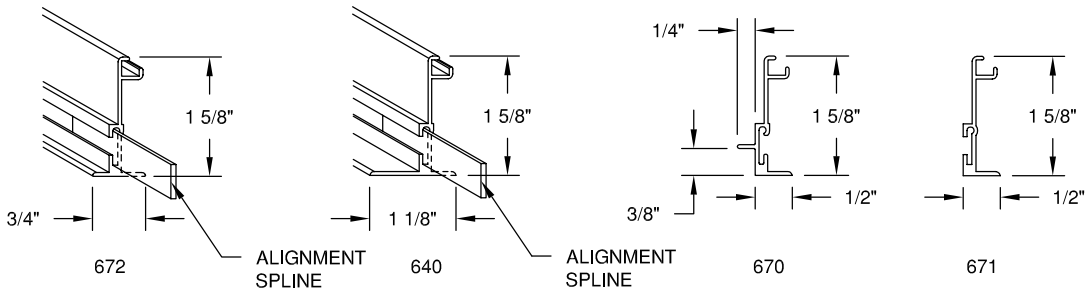
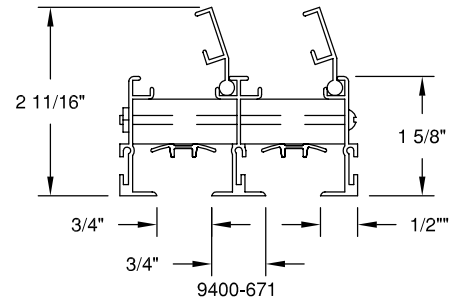
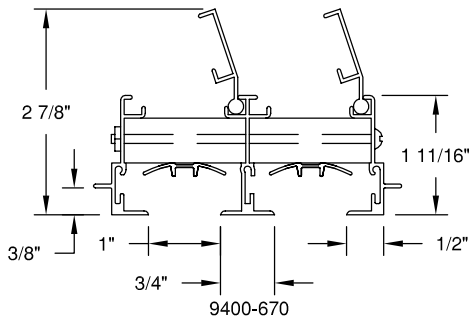
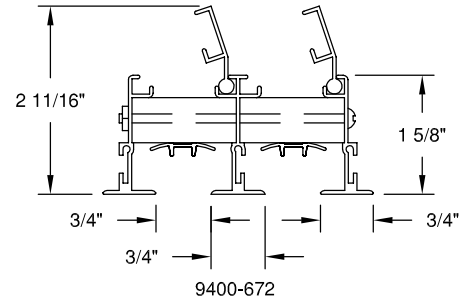
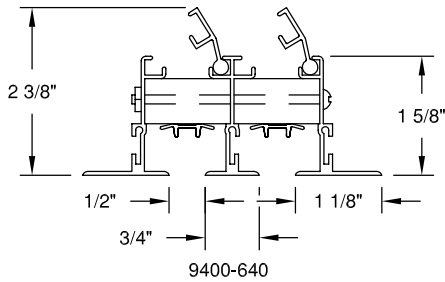
1/2", 3/4", & 1" SLOT WIDTHS WITH UP TO 10 SLOTS, IN SECTION LENGTHS OF 12" MINIMUM TO 72" MAXIMUM. FIELD BUTT FOR CONTINUOUS RUN.

EXTRUDED ALUMINUM; 6063-T5

FINISH - SA (CLEAR ANODIZE) OR W (WHITE PAINTED)

LENGTHS GREATER THAN 72" ARE FURNISHED IN MULTIPLE SECTIONS, THE NUMBER WILL BE DETERMINED BY THE FACTORY.

MAXIMUM PATTERN CONTROLLER LENGTH IS 24". PATTERN CONTROLLERS ARE FURNISHED IN MULTIPLE SECTIONS FOR A DIFFUSER LONGER THAN 24".



STANDARD AND OPTIONAL FRAMES

DWG NO.
02HV102B

JOB NAME: _____

ENGINEER: _____

DATE:
10/29/02

LOCATION: _____

CONTRACTOR: _____

ARCHITECT: _____

FINISH: _____