

LINEAR DIFFUSER

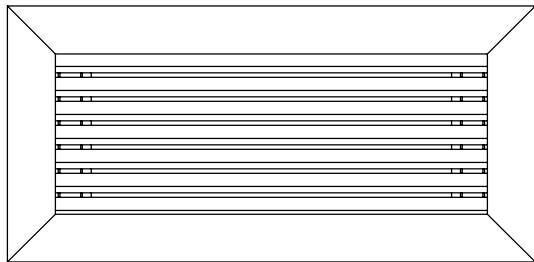
1/8" WIDE 30° DEFLECTION BARS PARALLEL TO LONG DIMENSION ON 1/2" CENTERS. INDIVIDUALLY ADJUSTABLE OPPOSED DIRECTIONAL VANES AND/OR OPPOSED BLADE DAMPER AVAILABLE.

MINIMUM SIZE: SILL, CEILING/WALL: 4" WIDTH x 2" HEIGHT

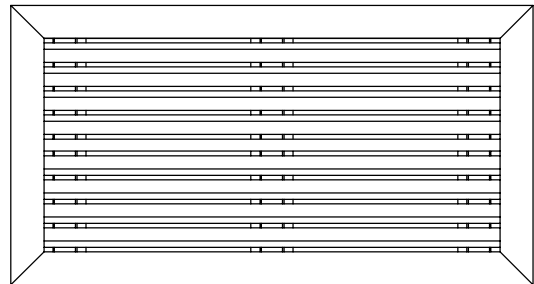
MAXIMUM SIZE: 72" WIDTH x 24" HEIGHT
CEILING/WALL: 72" WIDTH x 24" HEIGHT

EXTRUDED ALUMINUM; 6063-T5

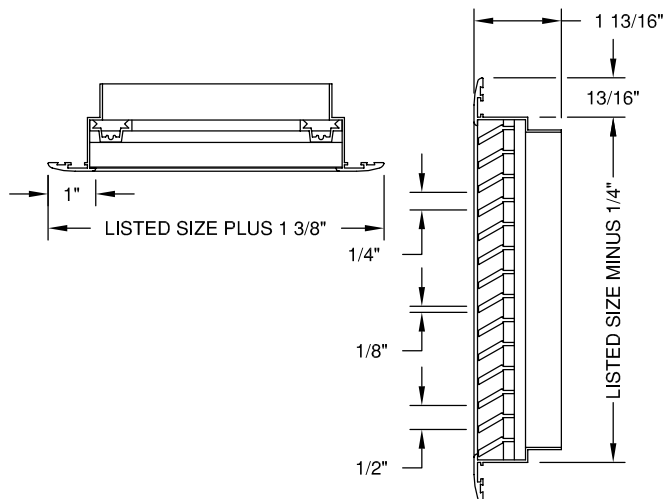
FINISH - SA (CLEAR ANODIZE) OR W (WHITE PAINTED)



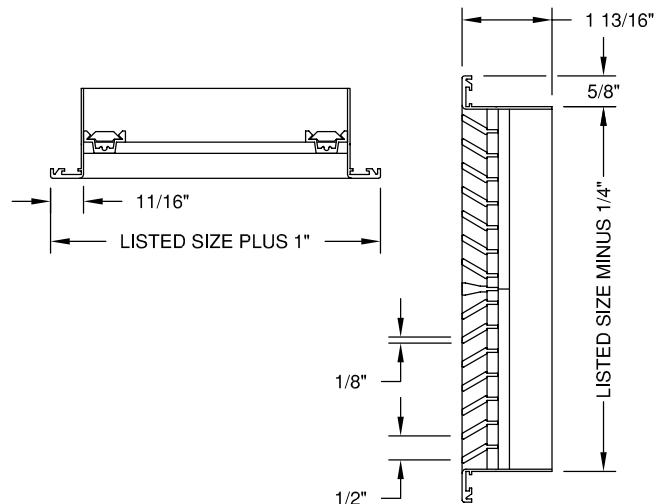
FACE VIEW - LD30



FACE VIEW - LD30-2 WAY-215



MODEL - LD30



MODEL - LD30-2 WAY-215

DWG NO.

02HV123B

JOB NAME: _____

ENGINEER: _____

DATE:

10/30/02

LOCATION: _____

CONTRACTOR: _____

ARCHITECT: _____

FINISH: _____