

## LINEAR FLOOR DIFFUSER

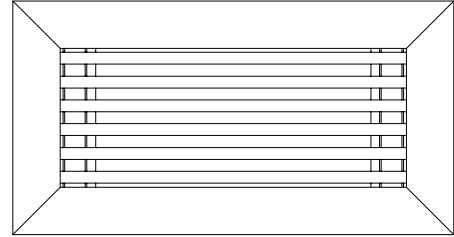
1/4" WIDE 0° DEFLECTION BARS PARALLEL TO LONG DIMENSION ON 1/2" CENTERS.  
ADJUSTABLE OPPOSED BLADE DAMPER AVAILABLE.

MINIMUM SIZE: FLOOR: 4" WIDTH x 2" HEIGHT  
CEILING/WALL: 4" WIDTH x 2" HEIGHT

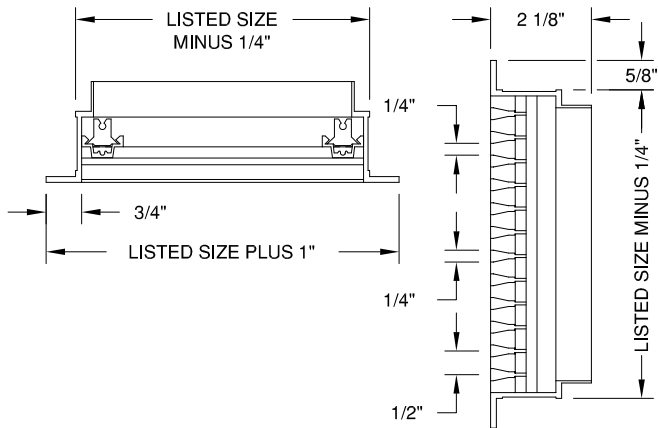
MAXIMUM SIZE: FLOOR: 48" WIDTH x 24" HEIGHT  
CEILING/WALL: 72" WIDTH x 48" HEIGHT

EXTRUDED ALUMINUM; 6063-T5

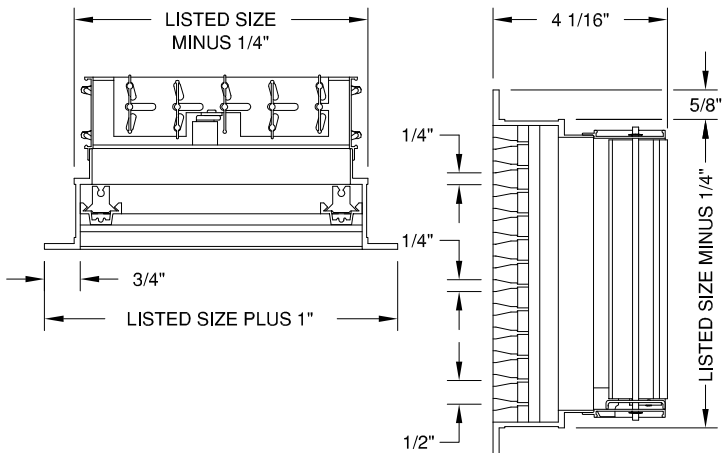
FINISH - SA (CLEAR ANODIZE) OR W (WHITE PAINTED)



FACE VIEW



MODEL - LFDXHD



MODEL - LFDXHDO

DWG NO.

02HV117C

JOB NAME: \_\_\_\_\_

ENGINEER: \_\_\_\_\_

DATE:

01/18/10

LOCATION: \_\_\_\_\_

CONTRACTOR: \_\_\_\_\_

ARCHITECT: \_\_\_\_\_

FINISH: \_\_\_\_\_