

### LINEAR FLOOR DIFFUSER

1/4" WIDE 0° DEFLECTION BARS PARALLEL TO LONG DIMENSION ON 1/2" CENTERS.

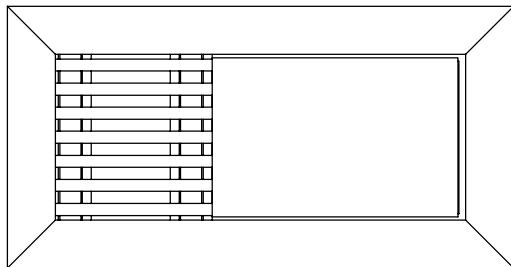
ACCESS DOOR: SPECIFY PANEL DOOR OR BAR DOOR

MINIMUM SIZE: SILL, CEILING, WALL: 4" WIDTH x 2" HEIGHT

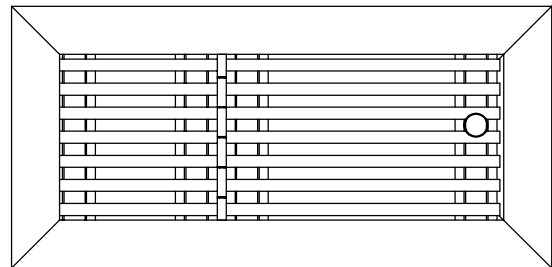
MAXIMUM SIZE: SILL, CEILING, WALL: 72" WIDTH x 12" HEIGHT

EXTRUDED ALUMINUM; 6063-T5

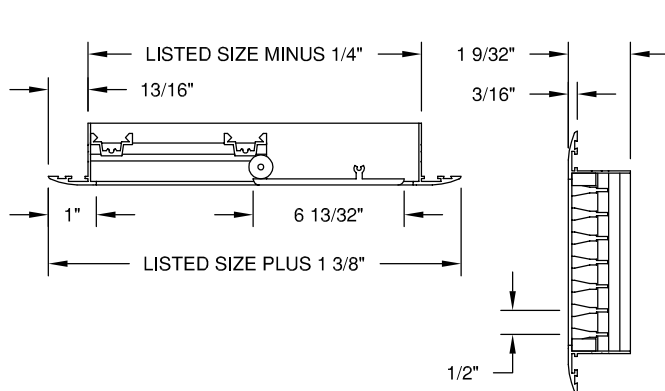
FINISH - SA (CLEAR ANODIZE) OR W (WHITE PAINTED)



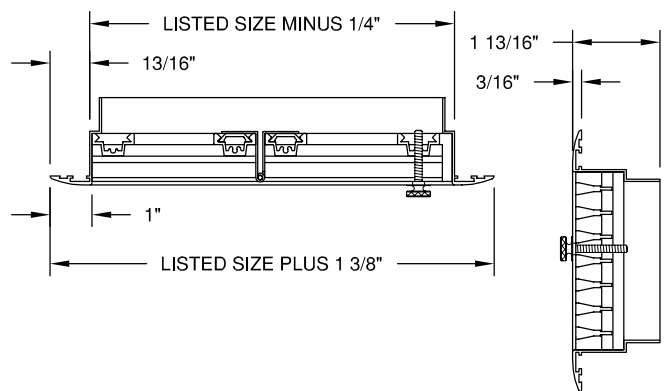
FACE VIEW - LFD w/PANEL DOOR



FACE VIEW - LFD w/BAR DOOR



MODEL - LFD w/PANEL DOOR



MODEL - LFD w/BAR DOOR

DWG NO.

02HV114B

JOB NAME: \_\_\_\_\_

ENGINEER: \_\_\_\_\_

DATE:

10/30/02

LOCATION: \_\_\_\_\_

CONTRACTOR: \_\_\_\_\_

ARCHITECT: \_\_\_\_\_

FINISH: \_\_\_\_\_