

LINEAR FLOOR DIFFUSER

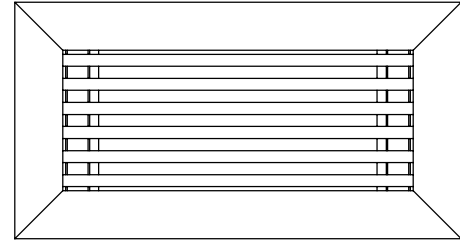
1/4" WIDE 0° DEFLECTION BARS PARALLEL TO LONG DIMENSION ON 1/2" CENTERS.
INDIVIDUALLY ADJUSTABLE OPPOSED DIRECTIONAL VANES AND/OR OPPOSED BLADE DAMPER AVAILABLE.

MINIMUM SIZE: FLOOR: 4" WIDTH x 2" HEIGHT
CEILING/WALL: 4" WIDTH x 2" HEIGHT

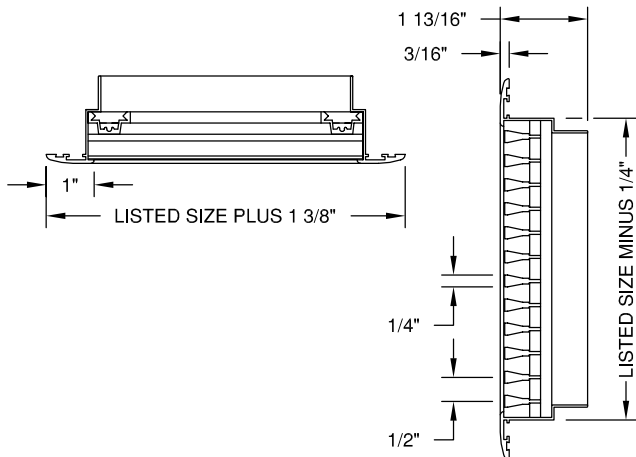
MAXIMUM SIZE: FLOOR: 48" WIDTH x 24" HEIGHT
CEILING/WALL: 72" WIDTH x 48" HEIGHT

EXTRUDED ALUMINUM; 6063-T5

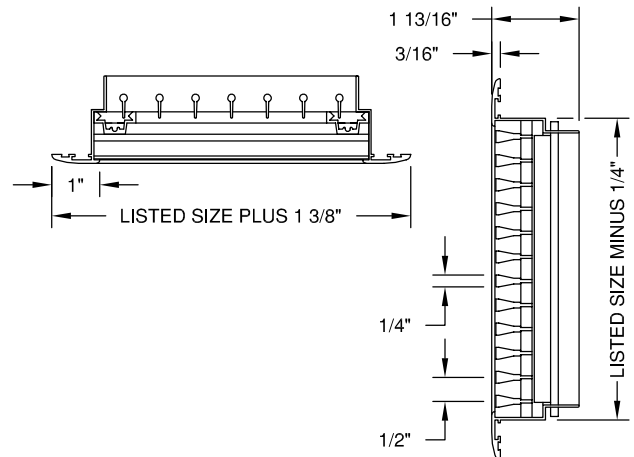
FINISH - SA (CLEAR ANODIZE) OR W (WHITE PAINTED)



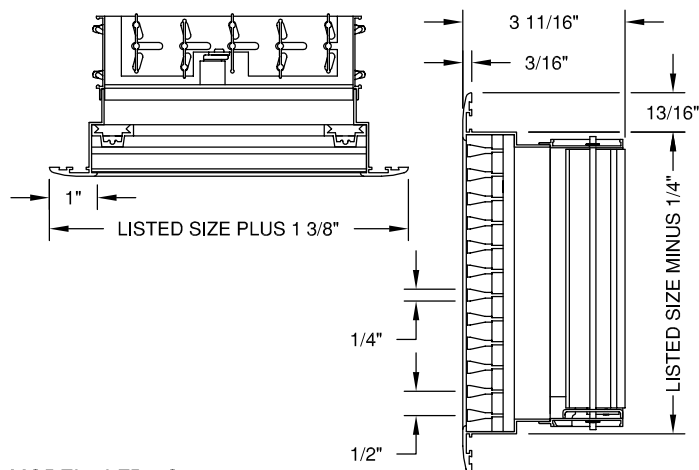
FACE VIEW



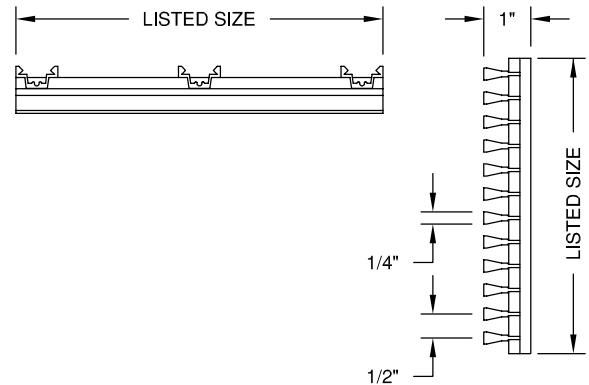
MODEL - LFD



MODEL - LFD-V



MODEL - LFD - O



MODEL - LFD-C

DWG NO.

02HV113C

JOB NAME: _____

ENGINEER: _____

DATE:

10/30/02

LOCATION: _____

CONTRACTOR: _____

ARCHITECT: _____

FINISH: _____