

9400 LINEAR SLOT DIFFUSERS

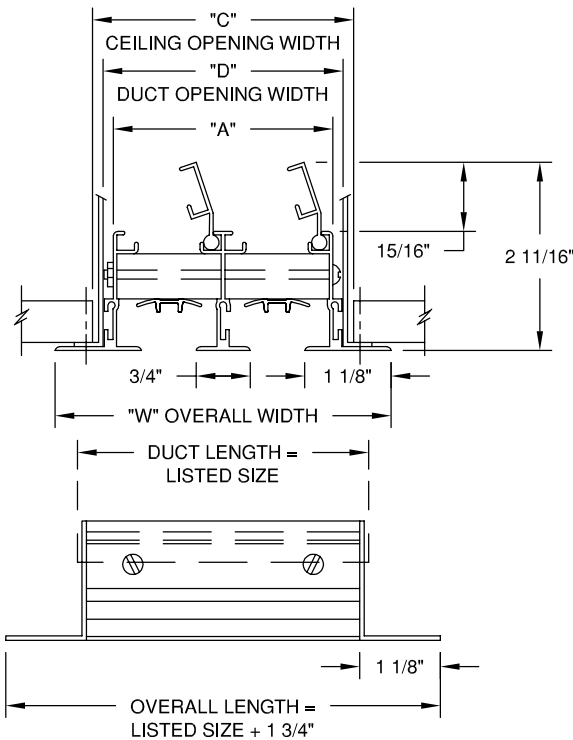
1/2", 3/4", & 1" SLOT WIDTHS WITH UP TO 10 SLOTS, IN SECTION LENGTHS OF 12" MINIMUM TO 72" MAXIMUM. FIELD BUTT FOR CONTINUOUS RUN.

EXTRUDED ALUMINUM; 6063-T5

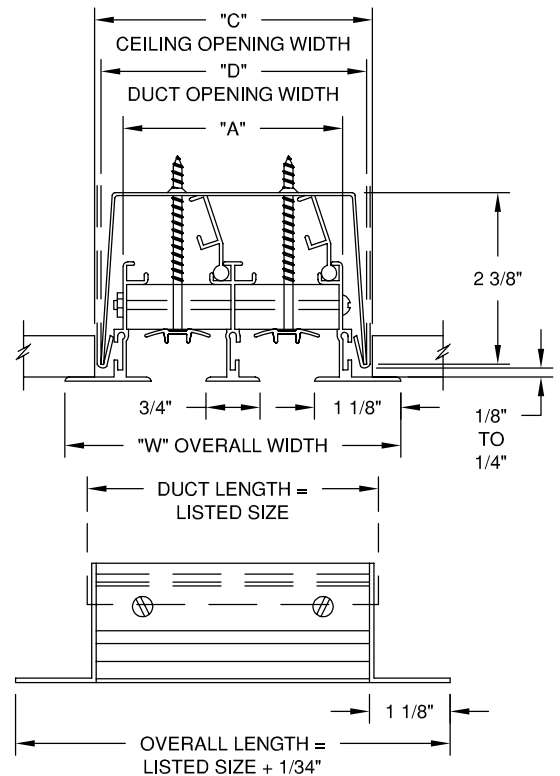
FINISH - SA (CLEAR ANODIZE) OR W (WHITE PAINTED)

LENGTHS GREATER THAN 72" ARE FURNISHED IN MULTIPLE SECTIONS, THE NUMBER WILL BE DETERMINED BY THE FACTORY.

MAXIMUM PATTERN CONTROLLER LENGTH IS 24". PATTERN CONTROLLERS ARE FURNISHED IN MULTIPLE SECTIONS FOR A DIFFUSER LONGER THAN 24".



MODEL - 9475-640



MODEL - 9475-640 WITH HANGER BRACKET

1 1/8" MARGIN - SURFACE MOUNT - 640

DIMENSION	TYPE	NUMBER OF SLOTS										"D"	"C"	"W"
		1	2	3	4	5	6	7	8	9	10			
A	1/2"	1 1/4	2 1/2	3 3/4	5	6 1/4	7 1/2	8 3/4	10	11 1/4	12 1/2	A + 7/16	A + 1/2	A + 1 1/2
	3/4"	1 1/2	3	4 1/2	6	7 1/2	9	10 1/2	12	13 1/2	15	A + 7/16	A + 1/2	A + 1 1/2
	1"	1 3/4	3 1/2	5 1/4	7	8 3/4	10 1/2	12 1/4	14	15 3/4	17 1/2	A + 7/16	A + 1/2	A + 1 1/2

1 1/8" MARGIN - SURFACE MOUNT - 640 - HANGER BRACKET

DIMENSION	TYPE	NUMBER OF SLOTS										"D"	"C"	"W"
		1	2	3	4	5	6	7	8	9	10			
A	1/2"	1 1/4	2 1/2	3 3/4	5	6 1/4	7 1/2	8 3/4	10	11 1/4	12 1/2	A + 3/4	A + 13/16	A + 1 1/2
	3/4"	1 1/2	3	4 1/2	6	7 1/2	9	10 1/2	12	13 1/2	15	A + 3/4	A + 13/16	A + 1 1/2
	1"	1 3/4	3 1/2	5 1/4	7	8 3/4	10 1/2	12 1/4	14	15 3/4	17 1/2	A + 3/4	A + 13/16	A + 1 1/2

SIZE SCHEDULE

DWG NO. 02HV096A	JOB NAME: _____	ENGINEER: _____
DATE: 03/26/02	LOCATION: _____	CONTRACTOR: _____
	ARCHITECT: _____	FINISH: _____