

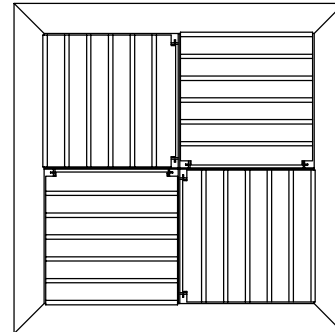
## ADJUSTABLE CORE PATTERN DIFFUSER

MODULAR CORE PROVIDE FOUR-WAY, THREE-WAY, TWO-WAY OR ONE-WAY HORIZONTAL AIR PATTERNS.  
 FOUR EQUALLY SIZED INDIVIDUALLY ADJUSTABLE CORES.  
 BLADES FIXED ON 15/16" CENTERS.  
 OPPOSED BLADE DAMPER AVAILABLE.  
 DESIGNED FOR SURFACE MOUNT.

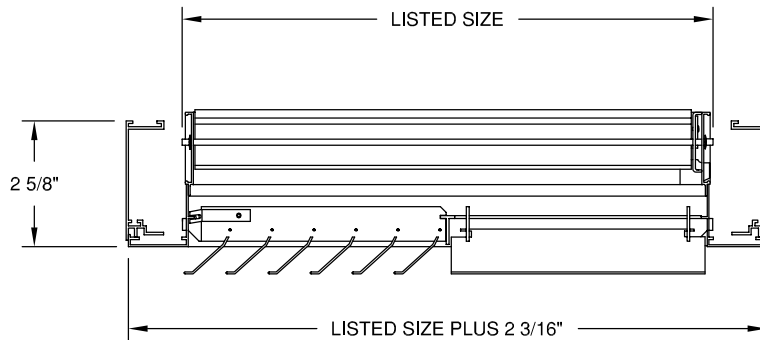
MINIMUM LISTED SIZE: 6" WIDTH x 6" HEIGHT  
 MAXIMUM LISTED SIZE: 22" WIDTH x 22" HEIGHT  
 IN 24" WIDTH x 24" HEIGHT PANEL MAXIMUM LISTED SIZE IS 18" WIDTH x 18" HEIGHT DIFFUSER.

EXTRUDED ALUMINUM; 6063-T5

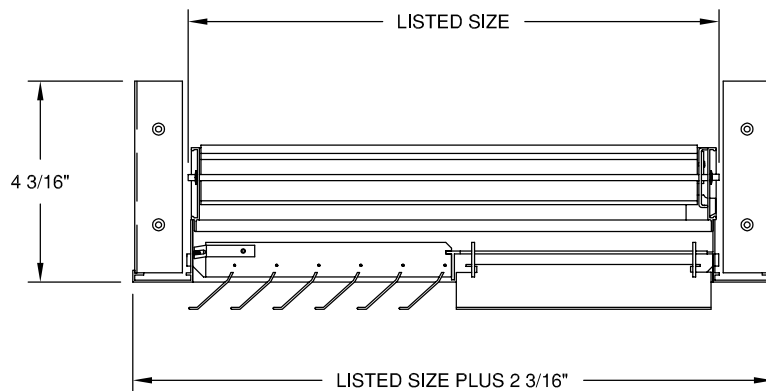
FINISH - SA (CLEAR ANODIZE) OR W (WHITE PAINTED)



FACE VIEW



MODEL - ACPO2 (2" DROP FRAME EXTRUDED)



MODEL - ACPO4 (4" DROP FRAME FPROMED ALUMINUM)

DWG NO. 02HV132A	JOB NAME: _____	ENGINEER: _____
DATE: 6/18/02	LOCATION: _____	CONTRACTOR: _____
	ARCHITECT: _____	FINISH: _____