

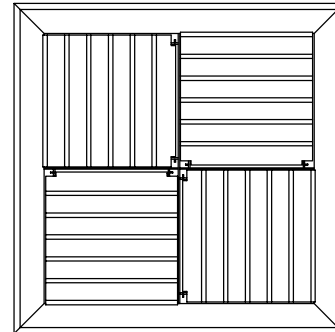
ADJUSTABLE CORE PATTERN DIFFUSER

MODULAR CORE PROVIDE FOUR-WAY, THREE-WAY, TWO-WAY OR ONE-WAY HORIZONTAL AIR PATTERNS.
 FOUR EQUALLY SIZED INDIVIDUALLY ADJUSTABLE CORES.
 BLADES FIXED ON 15/16" CENTERS.
 OPPOSED BLADE DAMPER AVAILABLE.

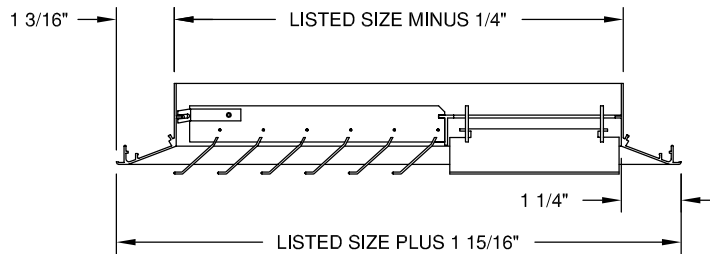
MAXIMUM SIZE: IN 24" WIDTH x 24" HEIGHT PANEL ALIP IS 18" WIDTH x 18" HEIGHT DIFFUSER.
 22" WIDTH x 22" HEIGHT DIFFUSER FITS
 24" WIDTH x 24" HEIGHT CEILING OPENING WITHOUT PANEL.
 MAXIMUM NECK SIZE AVAILABLE: 18" WIDTH x 18" HEIGHT

EXTRUDED ALUMINUM; 6063-T5

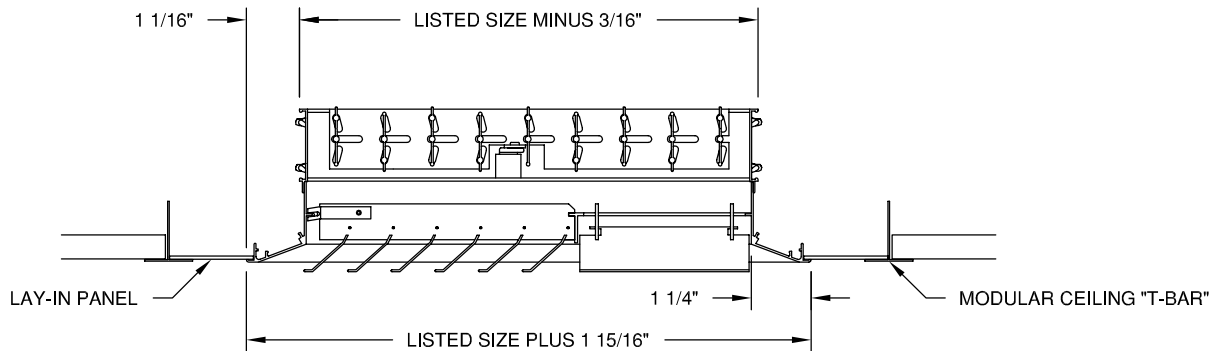
FINISH - SA (CLEAR ANODIZE) OR W (WHITE PAINTED)



FACE VIEW



MODEL - ACPT - 22 x 22



MODEL - ACPTO - WITH ALIP (ALUMINUM LAY-IN PANEL)

DWG NO.

02HV131A

JOB NAME: _____

ENGINEER: _____

DATE:

6/18/02

LOCATION: _____

CONTRACTOR: _____

ARCHITECT: _____

FINISH: _____