

SUPPLY AIR REGISTER

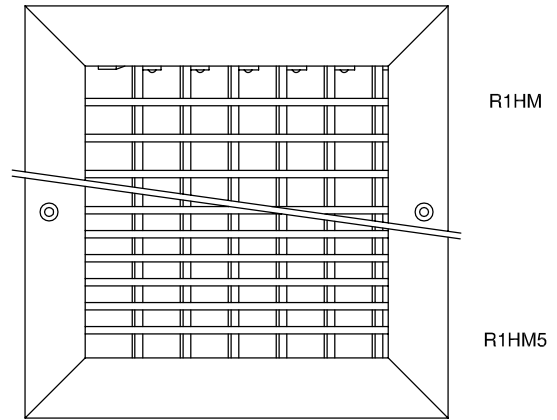
1 SET OF INDIVIDUALLY ADJUSTABLE BLADES
IN HORIZONTAL POSITION
WITH MULTI-SHUTTER DAMPER

MINIMUM SIZE: 6" WIDTH x 4" HEIGHT

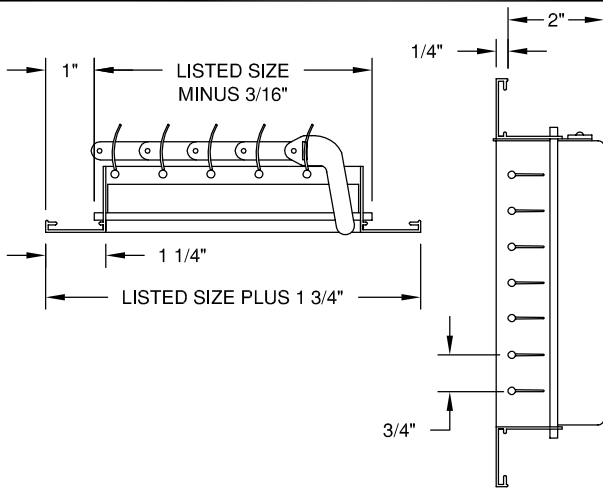
MAXIMUM SIZE: 36" WIDTH x 36" HEIGHT

EXTRUDED ALUMINUM; 6063-T5

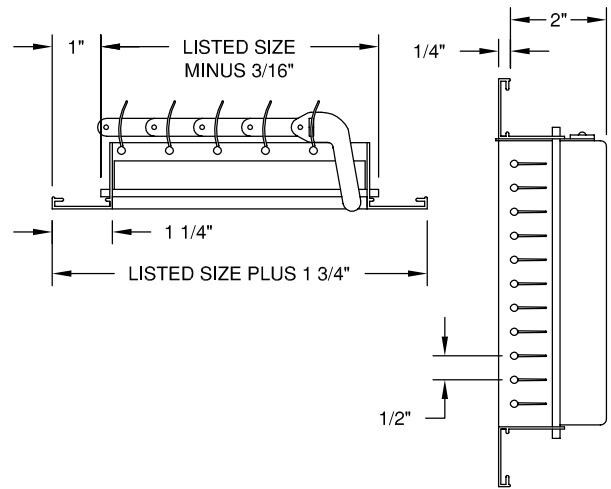
FINISH - SA (CLEAR ANODIZE) OR W (WHITE PAINTED)



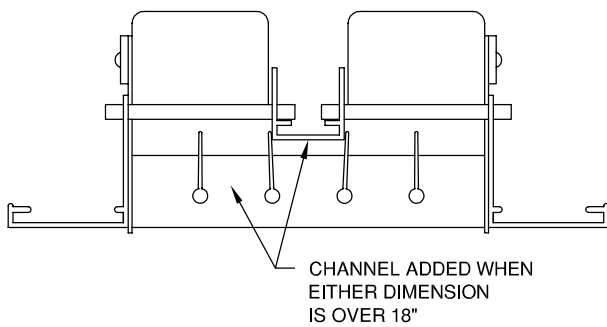
FACE VIEW



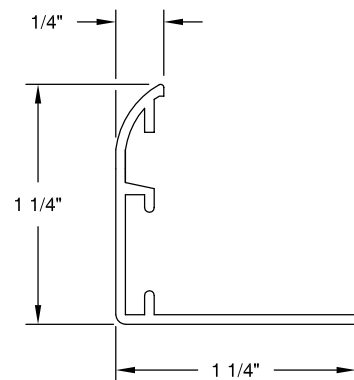
MODEL - R1HM - 3/4" BLADE SPACING - REGISTER



MODEL - R1HM5 - 1/2" BLADE SPACING - REGISTER



CHANNEL DETAIL



ALTERNATE "Z" FRAME

DWG NO.

02HV015B

JOB NAME: _____

ENGINEER: _____

DATE:

10/28/02

LOCATION: _____

CONTRACTOR: _____

ARCHITECT: _____

FINISH: _____