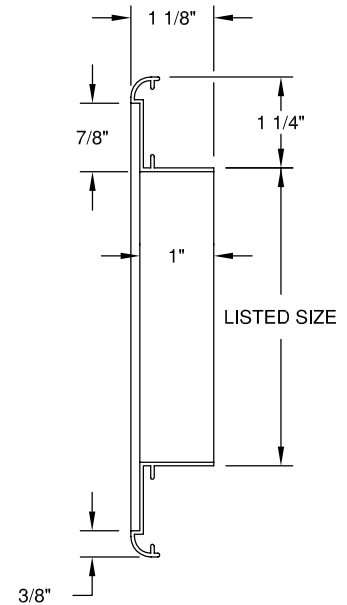
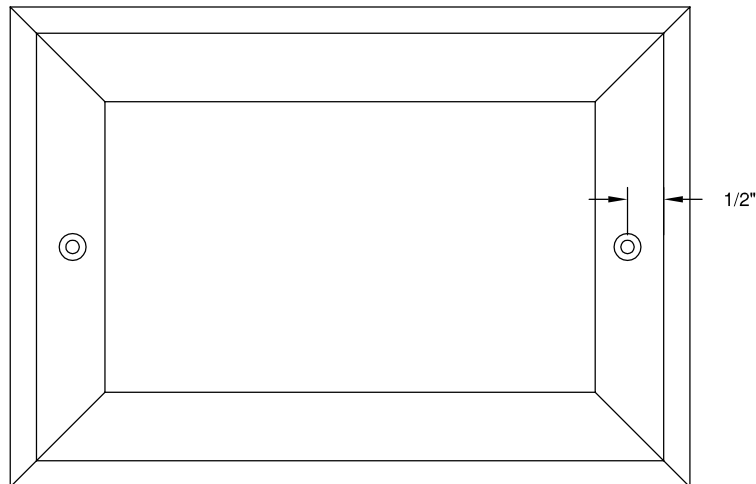
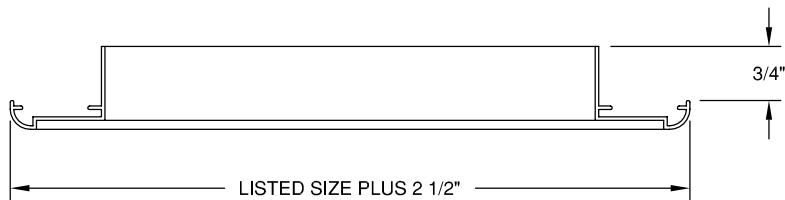


### TRIM FRAME

EXPOSED OPENING FRAME, FOR THOSE APPLICATION REQUIRING AN AUXILIARY MOUNTING FRAME WITH PRE-DRILLED HOLES TO MATCH SCREW HOLES IN UNITS MANUFACTURED BY RELIABLE.

EXTRUDED ALUMINUM; 6063-T5

FINISH - SA (CLEAR ANODIZE) OR W (WHITE PAINTED)



MODEL - EOF

DWG NO.

02HV181A

JOB NAME: \_\_\_\_\_

ENGINEER: \_\_\_\_\_

DATE:

6/19/02

LOCATION: \_\_\_\_\_

CONTRACTOR: \_\_\_\_\_

ARCHITECT: \_\_\_\_\_

FINISH: \_\_\_\_\_