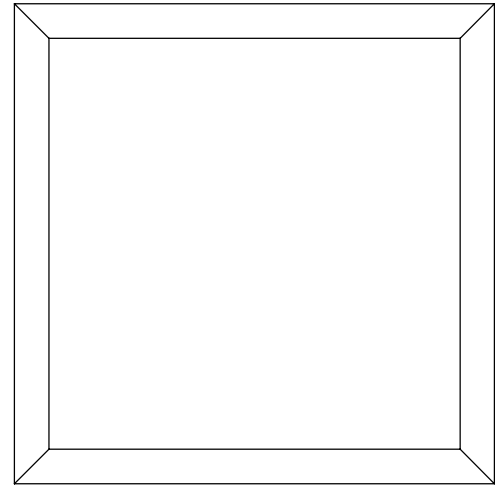


### TRIM FRAME

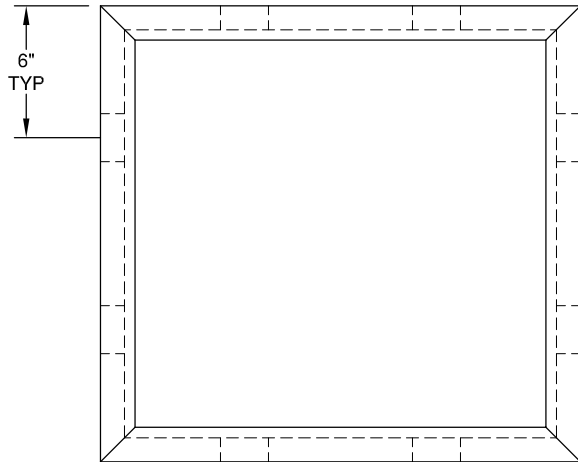
ACCEPTS STANDARD T-BAR DIFFUSERS WITH NOMINAL LISTED SIZES: 12" x 12", 24" x 24", 24" x 12", 24" x 48".  
DIFFUSERS ARE REMOVABLE FROM FACE SIDE WITH SUFFICIENT OVERHEAD CLEARANCE.

EXTRUDED ALUMINUM; 6063-T5

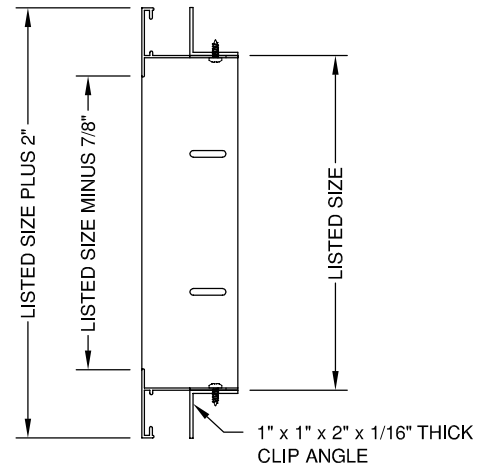
FINISH - SA (CLEAR ANODIZE) OR W (WHITE PAINTED)



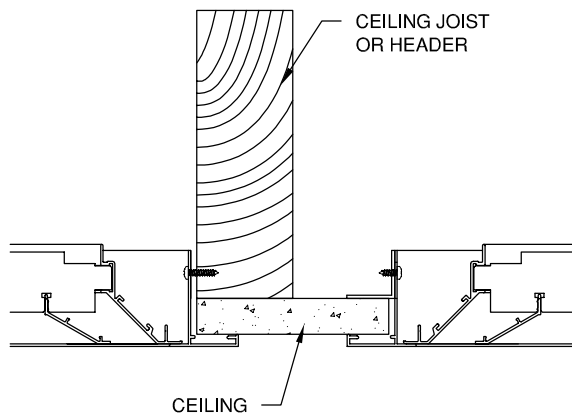
FACE VIEW



MODEL - EOF147



MODEL - EOF147 - END VIEW



MOUNTING DETAIL

DWG NO.

02HV180

JOB NAME: \_\_\_\_\_

ENGINEER: \_\_\_\_\_

DATE:

12/5/01

LOCATION: \_\_\_\_\_

CONTRACTOR: \_\_\_\_\_

ARCHITECT: \_\_\_\_\_

FINISH: \_\_\_\_\_