

CURVED BLADE CEILING DIFFUSERS

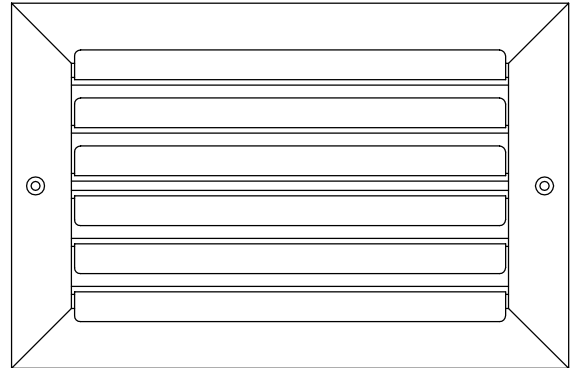
INDIVIDUALLY ADJUSTABLE BLADES ON 1" CENTERS
2 WAY PARALLEL TO LONG DIMENSION

MINIMUM SIZE: 6" WIDTH x 4" HEIGHT

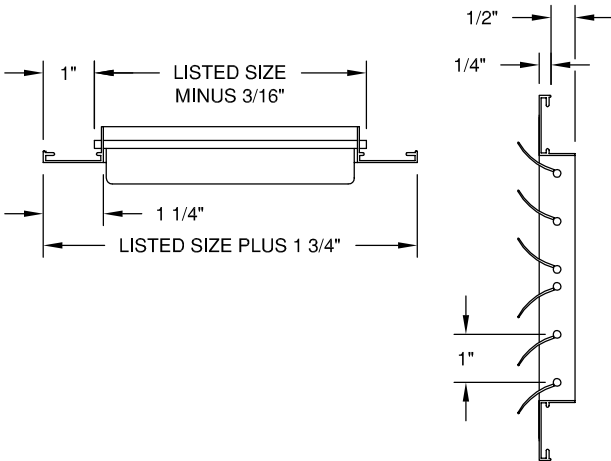
MAXIMUM SIZE: 36" WIDTH x 36" HEIGHT

EXTRUDED ALUMINUM; 6063-T5

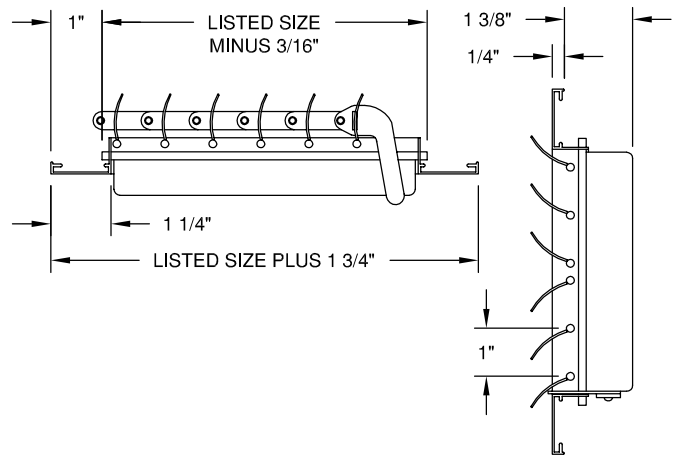
FINISH - SA (CLEAR ANODIZE) OR W (WHITE PAINTED)



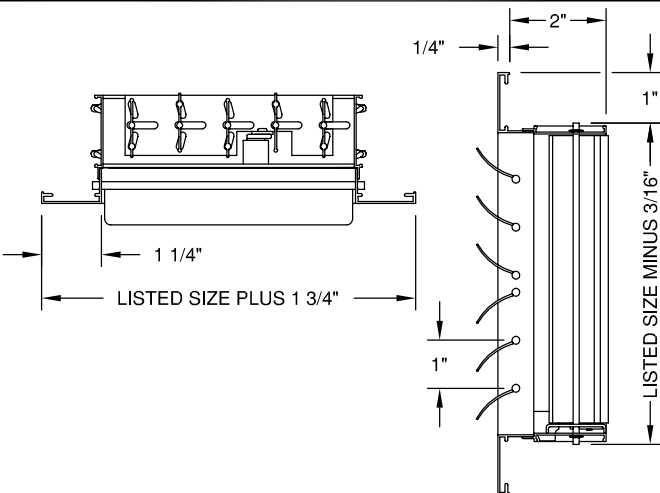
FACE VIEW



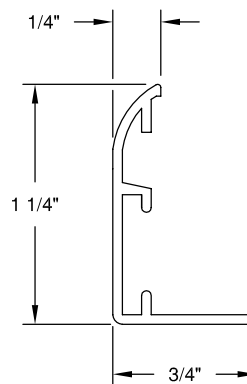
MODEL - C2L - 2 WAY LONG - GRILLE



MODEL - C2LM - 2 WAY LONG - MULTI-SHUTTER DAMPER



MODEL - C2LO - 2 WAY LONG - OPPOSED BLADE DAMPER



ALTERNATE "Z" FRAME

DWG NO.

02HV003A

JOB NAME: _____

ENGINEER: _____

DATE:

2/11/02

LOCATION: _____

CONTRACTOR: _____

ARCHITECT: _____

FINISH: _____